



**FATH®**

MADE FOR YOU:

**INNOVATIONS**  
**@FATH**



**FATH®**

**INNOVATIONS**

**@FATH**

# CONTENT

## **FATH inside**

What does INNOVATION mean for FATH?

In conversation with: Mirko Jan FATH



## **Engineering Components**

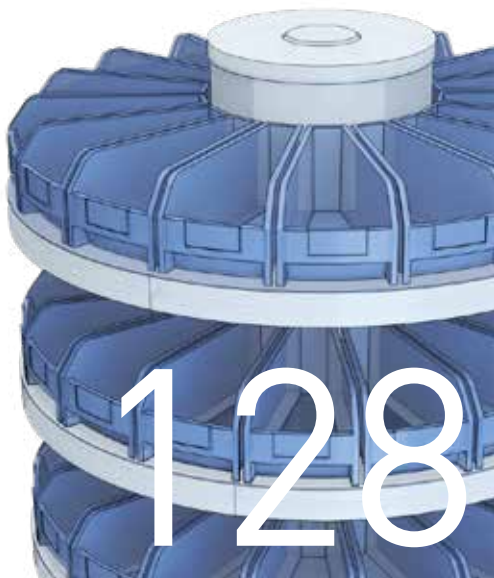
- Floor Elements
- T-Nuts & T-Bolts
- Connecting Systems
- Components Work Station
- Sliders and Rollers
- Conveyors
- Cover Elements
- Cable Management
- Tubular Frame Components





**LEAN 4.0**

Visual Management  
Material Flow



**ambos.io**

beyond intralogistics



**Information**

Part number index  
Alphabetical Index

# What does **INNOVATION** mean for **FATH**?

Innovation, noun

Word Separation: In|no|va|tion

Meaning:

Realization of a novel, advanced solution to a particular problem, especially the introduction of a new product or the application of a new procedure.

This is also what we at **FATH** understand innovation to mean: We don't want to bring something new to the market just for the sake of it. In order to pave the way for more added value in the industrial market, we have provided more tangible benefits in the products and solutions we have developed.

Innovation doesn't always have to be a groundbreaking invention. The sensible optimization of products with already known functions or the addition of helpful features can also make a noticeable difference, because perfection is often in the smallest detail.

The inspiration for new developments comes from working with our customers and partners. Through close exchange, we understand which problems need to be solved and recognize optimization potential.

From connectors to complex systems for light and electricity at the workplace or smart automation solutions – **FATH** innovations are intended to make a positive change.



**ENRICH**  
**YOUR WORKING LIFE.**



In addition to function, the simplicity of the part is particularly important to us during assembly and application. Our aim is to make your work in the industrial environment easier. By improving workflows, with clever products and system solutions that enable greater efficiency and productivity – and at the same time, ergonomic and frustration-free work at the interface between **people, machines and materials**.

"Because it's the people in their environment who move us forward in terms of innovation, product development and product quality. We summarize this in the idea of **PRODUCTIONCULTURE**, which stands for the new awareness in industrial production companies. In the **FATH** companies, we bring this idea to life.

This also results in new innovations, because we experience in our own production where optimizations are necessary and possible. And there, in the real environment, we subject our developments to rigorous stress tests before they go on the market.



### FATH LEAN 4.0

One focus is on LEAN production. We are constantly working on solutions to improve industrial processes in manufacturing, warehousing and logistics. In the **FATH** portfolio you will always find new products with which you can easily structure and optimize material flows, material provision and information provision.

Ingenuity is in our DNA and the flow of ideas is unrelenting. We want to use this power even more to drive innovation around the world. Always true to our principle of creating simple and easy to implement solutions that make the work of everyone involved easier. We see continuous change as the path to the future. Be part of the change!



In this brochure, discover the new building blocks that, in combination with proven products, become highly efficient and holistic solutions for the shop floor.

## In conversation with: Mirko Jan Fath

*"I've always thought LEGO® bricks were great. Using individual bricks, you simply assemble what you want to make. Modularity in its purest form."*

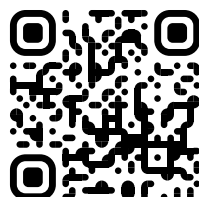
### What do LEGO® bricks have to do with INNOVATIONS@FATH?

It may well be that my enthusiasm for modular systems is based on this playful experience from childhood. Even today, I think it's great if you can put together individual components in such a way that they give us a real advantage as a whole. If a wow effect is added, I can get excited about it like a child (mischievous smile, editor's note).

### When was the last time that kind of delight occurred?

It happens quite often. For example, when the "LED lights and F Line power strips" project reached market maturity. The idea for this development came directly from the production hall. Light and power at the work station. I thought to myself: There has to be a way that that works better. It must be possible to precisely set up and align lighting and power supply in such a way that every employee can work productively and without fatigue. Conceived, achieved. The result is a modular system with practical remote dimming and remote switching that complies with the **FATH** guiding principle: **ENRICH YOUR WORKING LIFE.**

You can see how it works in this video:



### What other product innovations are there?

Many! Components for profile systems continue to be a primary focus. There are a few things to discover in this area on the following pages. Proven components in new useful variants for even greater flexibility – from corner connectors to angle and direct connectors and friction joints. And new rollers for easier mobility.

### LEAN 4.0 was a topic at Motek 2021. What's happening here at FATH?

We are continually working on solutions for leaner processes and for more structure and better organization. Floor markings in a new format and clever guiding rails for FIFO stations are now part of the **FATH** product range. And even with the UTENSILO, our customers will definitely achieve an "aha" effect in the meeting room. The smart solution for right-handed and left-handed users is inconspicuous at first glance, but the benefits become apparent during use. You'll never have to search for a whiteboard marker again or throw it away because it's dried out, as the caps are tightly stored on the marker. And this modular part is really fun, almost like LEGO bricks (laughs, editor's note).

Try it out! I hope you have a lot of fun and amazement in doing so. Just like with all the other **FATH** innovations.





**"It's really fun,  
almost like Lego®!"**

**Floor Elements**

Foot Consoles	
Foot Console ST 40 / 45 - 110	14
Swivel and Fixed Castors	
Product Portrait   Leveling Castors	15
Leveling Castor with Bolt Hole Thread	17
Leveling Castor with Mounting Plate 40 / 45	18
Fixed Castor with Lifting Foot	19

**T-Nuts & T-Bolts**

T-slot Nuts	
Roll-in T-slot Nut 11.6 x 4.6 mm with Spring Leaf	20

**Connecting Systems**

Aluminum Die-cast, Connection Plates	
Connection Plate I40 M Length/Cross, Rectangular 2 Hole, 1 Slot (Set)	21
Connection Plate I120 M (Set)	22
Connection Angles	
Alu Connection Angle 40 M (Set)	23
Alu Connection Angle 40 / 80 M (Set)	24
Central Connectors	
Central Connector B Universal, Slot 10	25
Direct Connectors	
Direct Connector I, Slot 8	26
Direct Connector I / B, Slot 8 / 10	27
Angle Connectors 45°	28
Angle Connector I 40, 45° (Set)	28
Pivot Joints	
Product Portrait   Friction Joints for System Arms	29
End Friction Joint I40L for System Arm (Set)	31
End Friction Joint B45-B45L for System Arm (Set)	32
End Friction Joint I80L for System Arm (Set)	33

**Components Work Station**

Information Provision	
Monitor Mount ZN with Locking Lever (Set)	34
Monitor Mounting Plate	35
Tool Supply	
Magnetic Holder I, Slot 8	36
Lighting	
Product Portrait   Modular LED Lamps and Power Strips F Line	37
LED Lamp Module F Line I 476, Input Dimmable	41
LED Lamp Module F Line I 953	43
LED Lamp Module F Line I 953, Input Dimmable	44
Power Supply	
Power Strip Module F Line 264 4-way 4x	46
Power Strip Module F Line 317 5-way 4x, Output Dimmable	48
Power Strip Module F Line 370 6-way 4x + USB, Input switchable	50
Power Strip Module F Line 370 6-way 4x, Input Switchable, Output Dimmable	52
Power Strip Module F Line 370 6-way 4x, Input Switchable, Output Switchable	54
Main Power Cable GST18i3 for Module F Line	56
Connection Cable GST18i3 for Module F Line	57
Connection Cable GST15i5 for Module F Line	58
Connection Coupling GST18i3 für Module F Line (Set)	59
Cover Cap GST18i3 for Module F Line	60

**Sliders and Rollers**

Door Guides	61
Frame Corner Connector 18 x 32 for Clamp Profile (Set)	61
Sliding Door Guide Insert for Frame Corner Connector 18 x 32 (Set)	62

**Conveyors**

Brackets for Roller Tracks ST / XST	63
Holding Bracket ST / XST D30	63
Variable Holding Bracket ST / XST D30	64
Mounting Bracket ST / XST D30	65
Guiding Rails XST	66
Guiding Rail XST Lateral	66
Guiding Rail XST Central	67

**Cover Elements**

Slot 6 + 8, Cover Profiles Elastic	68
Side Protection Profile 40, Slot 8	68
Corner Protection Profile 40, Slot 8	69
Cover Cap for Side and Corner Protection Profile 40	70
Cover Cap for Corner Protection Profile 40	71

**Cable Management**

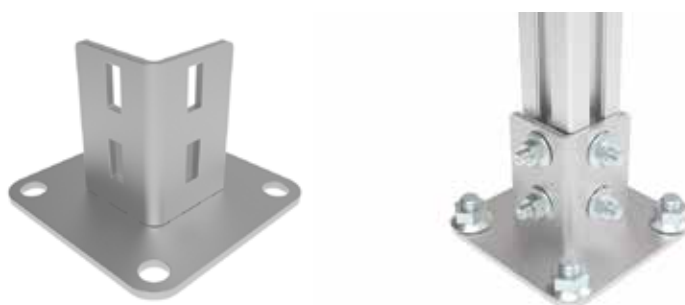
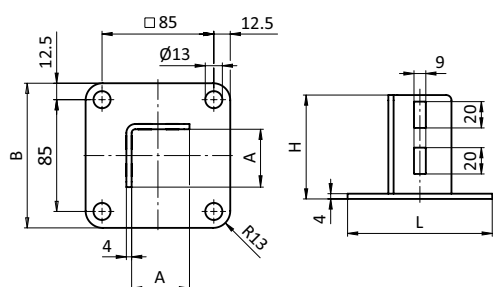
Cable Channels	72
Conduit Profile PVC	72

**Tubular Frame Components**

D30, Tubular Frame Components	75
Slide Rail D30	75
Cover Caps for Tubular Frame Profile	76
Cover Cap for Tubular Frame Connectors D30	77
Protection Cap D30	78
Threaded Sleeve AL D30	79
Outer T-Connector D30 (Set)	80
Outer T-connector D30 - Slot 8 (Set)	81
Parallel Connector D30 (Set)	82
Angle Connector D30, 45° (Set)	83
Angle Connector 2D30 (Set)	84
Cross Connector D30 (Set)	85
Cross Ball Connector D30 (Set)	86
Outer Ball Connector D30 (Set)	87
Outer Ball Butt Connector D30 (Set)	88
Corner Connector 2D30 (Set)	89
T-Connector Plate D30 (Set)	90
Vario Block AL D30 (Set)	91
Panel Clip D30	92
Top Clamp D30 (Set)	93
Top Suspension D30 (Set)	94
Top Corner Suspension D30 (Set)	95
Mounting Clamp D30 (Set)	96
Cross Cable Binder Block D30	97
Label Clip D28 / D30	98
Label Holder D30 (Set)	99
Roller Ø 39.5 (Set)	100
Roller Ø 46.5	101
Slide Bearing D40/D30	102

**FOOT CONSOLE ST 40 / 45 - 110**

<b>MODEL</b>	Steel
<b>DESCRIPTION</b>	To mount aluminum profiles as posts
<b>MATERIAL</b>	Steel
<b>SURFACE</b>	Zinc plated / powder coated
<b>COLOR</b>	- / alu color
<b>PACK QUANTITY</b>	1 piece
<b>TIP</b>	Compatible hammer screw slot 8 see 096HK0830M0820 Compatible hammer screw slot 10 see 096HK1030M0820 Compatible flange nut M8 see 340ME154



A [mm]	L X B X H [mm]	WEIGHT [g]	PART #
40	110 x 110 x 79	543.5	<b>098G40L110VS01</b>
45	110 x 110 x 79	569.5	<b>098G45L110VS01</b>

## LEVELING CASTORS

With FATH Leveling Castors, always on the same level regardless of the floor



- Universal mounting options
- Compensation for uneven floors up to 10 mm
- Flexible use of workplaces and other aluminum profile structures
- Can hold up to 340 kg per castor

### HIGHLIGHTS

The simple and robust design of **FATH** Leveling Castors is impressive. The different versions cover the requirements of a wide range of applications and application scenarios in an industrial environment. Wear-resistant Castors ensure a long service life with minimal abrasion. They can be dynamically loaded with up to 340 kg – even frames weighing a maximum of 340 kg per castor can be moved safely. Castor diameters of 50 or 62 mm also allow travel over uneven surfaces.

The supporting foot can be extended using a standard open-end wrench on the color highlighted adjusting wheel. This ensures a secure footing for the object. Floor unevenness up to 10 mm can also be compensated for thanks to the continuously adjustable foot. To move the structure to another location, simply retract the foot.

### ROBUST DESIGN



### Easy installation – hole pattern with heart and mind!

**FATH** Leveling Castors have various assembly options. The fixing can be made with a bolt hole thread using double-threaded screws in transport and base plates or core holes of aluminum profiles.

The Leveling Castors are also available with a screw-on plate for flush mounting on all profiles with modular dimensions 40 and 45. For the mounting holes in the mounting plate, **FATH** has developed a special heart-shaped hole pattern, which makes it possible to mount the **FATH** Leveling Castors on different profile frames and profile corners – with a flush lip without protruding from the mounting plate. This increases flexibility and safety.

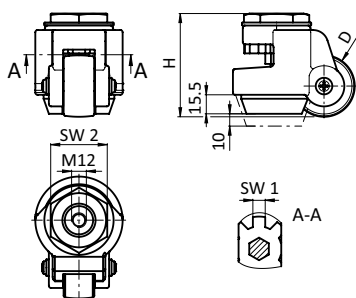


Would you like to learn more about **FATH** Leveling Casters?

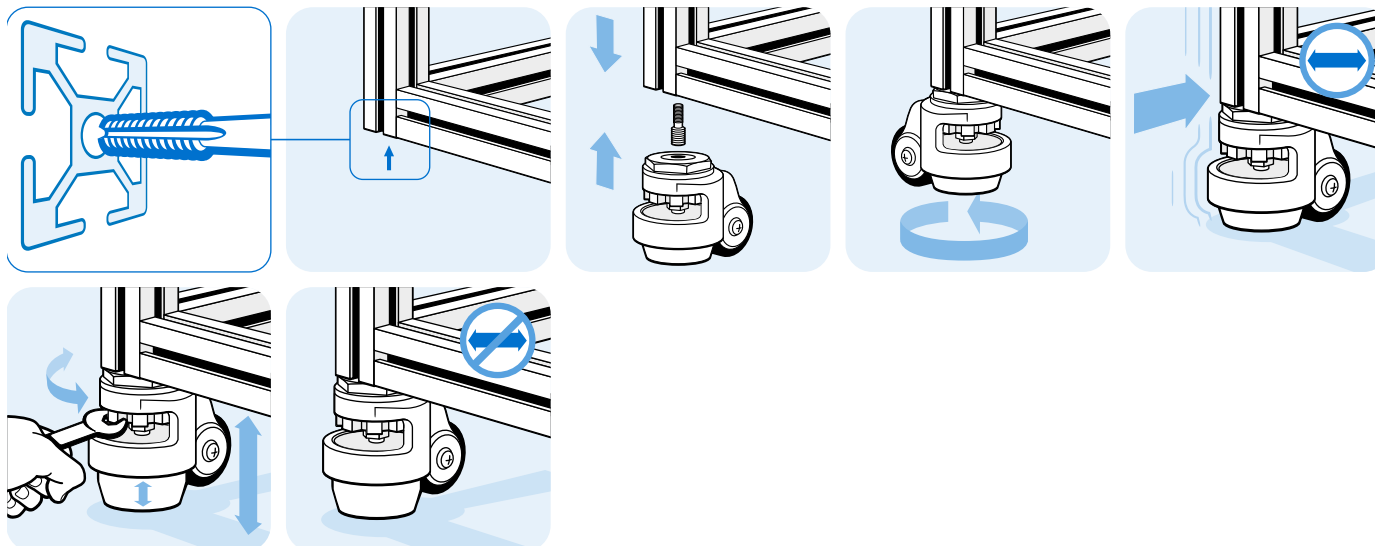
[leveling-caster.fath24.com](https://leveling-caster.fath24.com)

**LEVELING CASTOR WITH BOLT HOLE THREAD**

<b>MODEL</b>	With bolt hole thread
<b>DESCRIPTION</b>	Reliable leveling castor with bolt hole thread M12 For fixation to transport and base plates, threaded sleeves or threaded bushes; Roller movement locking by temporary positioning on stamp, actuation of the height adjustment of the stamp via adjustment wheel in the castor housing with wrench
<b>MATERIAL</b>	Bolt hole plate: Steel Housing: Aluminum die-cast Adjustment wheel: Plastic PA Stamp: Rubber NBR Roller: Plastic PA
<b>SURFACE</b>	Bolt hole plate: Zinc plated Housing: Powder coated
<b>COLOR</b>	Housing: White aluminum ≈ RAL 9006 Adjustment wheel: Orange ≈ RAL 2004 Stamp: Black Roller: Black
<b>SET</b>	4 leveling castors with bolt hole thread 4 double threaded bolts M8/M12 4 double threaded bolts M12/M12
<b>PACK QUANTITY</b>	4 pieces
<b>TIP</b>	Compatible transport and base plates with thread M8 or M12 on request

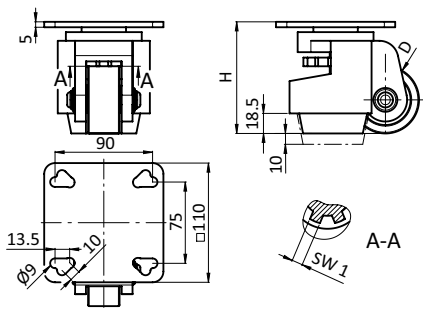


D [mm]	H [mm]	TRAGKRAFT PRO HUBEINHEIT [KG]	SW 1	SW 2	WEIGHT [g]	PART #
50	84	250 (M8/M12) 250 (M12/M12)	11	46	2588.0	098LF050AF46S01
62	103	350 (M8/M12) 500 (M12/M12)	12	65	4688.0	098LF062AF65S01

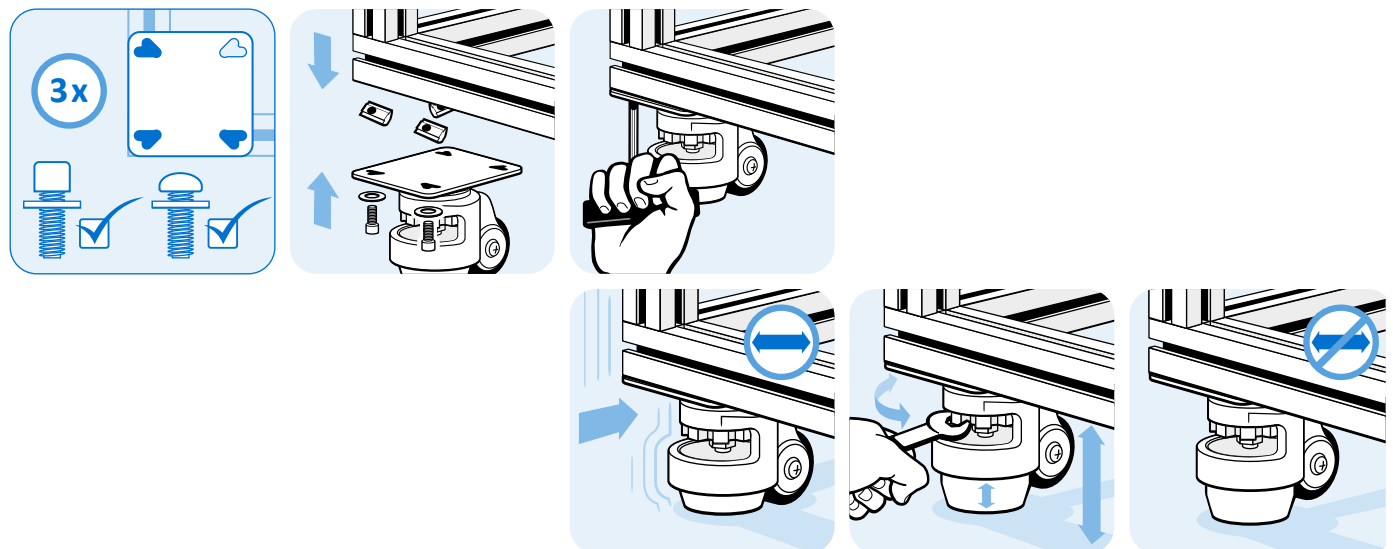


**LEVELING CASTOR WITH MOUNTING PLATE 40 / 45**

<b>MODEL</b>	With mounting plate
<b>DESCRIPTION</b>	Reliable leveling castor with integrated mounting plate For fixation to aluminum profiles with modular dimension 40 and 45 mm without overhang No additional transport and base plate needed; Roller movement locking by temporary positioning on stamp, actuation of the height adjustment of the stamp via adjustment wheel in the castor housing with wrench
<b>MATERIAL</b>	Mounting plate: Steel Housing: Aluminum die-cast Adjustment wheel: Plastic PA Stamp: Rubber NBR Roller: Plastic PA
<b>SURFACE</b>	Mounting plate: Zinc plated Housing: Powder coated
<b>COLOR</b>	Housing: White aluminum ≈ RAL 9006 Adjustment wheel: Orange ≈ RAL 2004 Stamp: Black Roller: Black
<b>PACK QUANTITY</b>	4 pieces



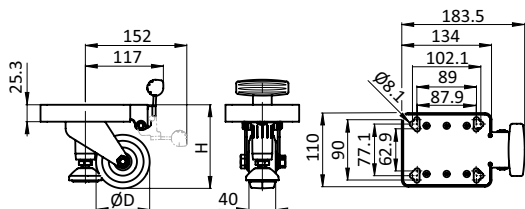
D	H	MAX. LOAD [KG]	SW 1	WEIGHT [g]	PART #
62	103	500	12	1345.0	098LF062AF110110





**FIXED CASTOR WITH LIFTING FOOT**

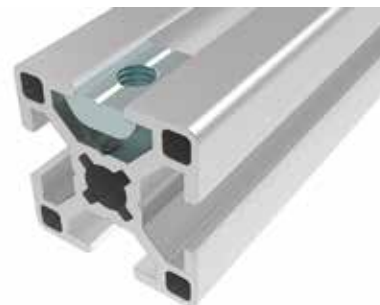
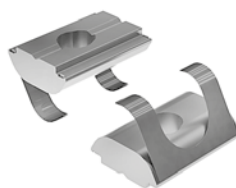
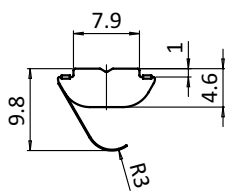
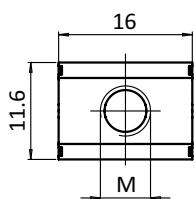
<b>MODEL</b>	With mounting plate
<b>DESCRIPTION</b>	Reliable and quiet fixed caster, trackless With ball bearings and thread guard, integrated mounting plate for fixation to aluminum profiles with modular dimension 40 and 45mm without overhang No additional transport and base plate needed; Roller movement locking by temporary positioning on lifting foot, actuation of the height adjustment of the lifting foot via foot pedal on the fixed caster housing
<b>MATERIAL</b>	Housing: Die-cast aluminum / steel Thread: See table Wheel body: See table Mounting plate: Steel Leveling foot: Plastic PA, glass ball reinforced / steel Foot pedal: Plastic PUR / steel
<b>SURFACE</b>	Housing: Powder coated / zinc plated Mounting plate: Zinc plated Leveling foot: Plain / zinc plated Foot pedal: Plain / zinc plated
<b>COLOR</b>	Housing: Alu color Tread: See table Wheel body: See table Leveling foot: Black Foot pedal: Black
<b>PACK QUANTITY</b>	1 piece
<b>SPECIALS</b>	Other kinds of wheels, other colors, other surfaces on request



ESD	D [mm]	WHEEL BODY	H [mm]	FIXED CASTOR TREAD	MAX. LOAD [N]	WEIGHT [g]	PART #
	80	PA, natural white	125	PA, white	2500	2172.2	<a href="#">098FF080AF134110</a>
	80	Aluminum die-cast, silver gray	125	PU, yellow	1800	2096.0	<a href="#">098FF080EHF134110</a>
ESD	80	Aluminum die-cast, silver gray	125	PU, green	1800	2172.2	<a href="#">098FF080EHF134110ESD</a>
	80	PA, black	125	solid rubber, black	1700	2148.4	<a href="#">098FF080GF134110</a>
	80	PA, gray ≈ RAL 7001	125	PU, black	1500	2172.2	<a href="#">098FF080UF134110</a>
ESD	80	PA, gray ≈ RAL 7001	125	PU, black	1000	2172.2	<a href="#">098FF080UF134110ESD</a>
	100	PA, natural white	145	PA, white	2500	2216.6	<a href="#">098FF100AF134110</a>
	100	Aluminum die-cast, silver gray	145	PU, yellow	2500	2216.6	<a href="#">098FF100EHF134110</a>
ESD	100	Aluminum die-cast, silver gray	145	PU, green	2500	2216.6	<a href="#">098FF100EHF134110ESD</a>
	100	PA, black	145	solid rubber, black	2000	2216.6	<a href="#">098FF100GF134110</a>
	100	PA, gray ≈ RAL 7001	145	PU, black	2000	2216.6	<a href="#">098FF100UF134110</a>
ESD	100	PA, gray ≈ RAL 7001	145	PU, black	1300	2216.6	<a href="#">098FF100UF134110ESD</a>

**ROLL-IN T-SLOT NUT 11.6 X 4.6 MM WITH SPRING LEAF**

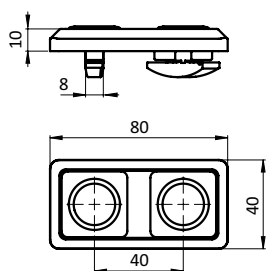
<b>MODEL</b>	Slot 8, Self-aligning with Spring Leaf, Steel / Stainless Steel
<b>DESCRIPTION</b>	Self-aligning roll-in T-slot nut with spring leaf, ESD electrostatical discharging
<b>SURFACE</b>	Zinc plated
<b>PACK QUANTITY</b>	100 pieces
<b>SPECIALS</b>	Different lengths with multiple threads in different sizes available on request



SIZE	WEIGHT [g]	PROFILE	PART #
M4	4.8	B	<a href="#">096314F</a>
M5	4.7	B	<a href="#">096315F</a>
M6	4.4	B	<a href="#">096316F</a>
M8	3.6	B	<a href="#">096318F</a>
M4	4.8	B	<a href="#">096314EF</a>
M5	4.7	B	<a href="#">096315EF</a>
M6	4.4	B	<a href="#">096316EF</a>
M8	3.6	B	<a href="#">096318EF</a>

**CONNECTION PLATE I40 M LENGTH/CROSS, RECTANGULAR 2 HOLE, 1 SLOT (SET)**

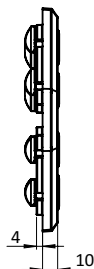
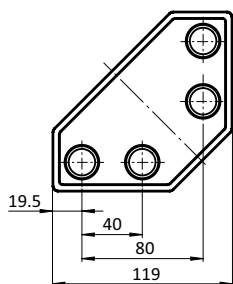
<b>MODEL</b>	Aluminum die-cast
<b>DESCRIPTION</b>	To connect two aluminum profiles quickly at right angle or parallel, direct inserting into the profile slot thanks to lengthwise or crosswise positioning of the pre-assembled magnet rhombus screws and counter sunk nuts with the 90° turnable inserts; the open screwing holes of the connection plate can be closed with the cover caps
<b>MATERIAL</b>	Connection plate: Aluminum die-cast Cover Caps: Plastic PA, glass fiber reinforced Magnet rhombus screws: Steel Countersunk nuts: Steel
<b>SURFACE</b>	Connection plate: Laquered Magnet rhombus screws: Zinc plated Countersunk nuts: Zinc plated
<b>COLOR</b>	Connection plate: Alu color Cover Caps: Gray ≈ RAL 7042
<b>SET</b>	1 connection plate with pre-assembled magnet rhombus screws and counter sunk nuts in 90° turnable inserts 2 cover caps
<b>PACK QUANTITY</b>	10 set
<b>SPECIALS</b>	Other surfaces, other colors on request



SLOT	WEIGHT [g]	PROFILE	PART #
8	111.1	I	<b>093VM4080LN08</b>

**CONNECTION PLATE I120 M (SET)**

<b>MODEL</b>	Aluminum die-cast
<b>DESCRIPTION</b>	To connect two aluminum profiles quickly at right angle, direct inserting into the profile slot thanks to correct positioning of the pre-assembled magnet rhombus screws and counter sunk nuts; the open screwing holes of the connection plate can be closed with the cover caps
<b>MATERIAL</b>	Connection plate: Aluminum die-cast Cover Caps: Plastic PA, glass fiber reinforced Magnet rhombus screws: Steel Countersunk nuts: Steel
<b>SURFACE</b>	Connection plate: Laquered Magnet rhombus screws: Zinc plated Countersunk nuts: Zinc plated
<b>COLOR</b>	Connection plate: Alu color Cover Caps: Gray ≈ RAL 7042
<b>SET</b>	1 connection plate with pre-assembled magnet rhombus screws and counter sunk nuts 4 cover caps
<b>PACK QUANTITY</b>	10 set
<b>SPECIALS</b>	Other surfaces, other colors on request



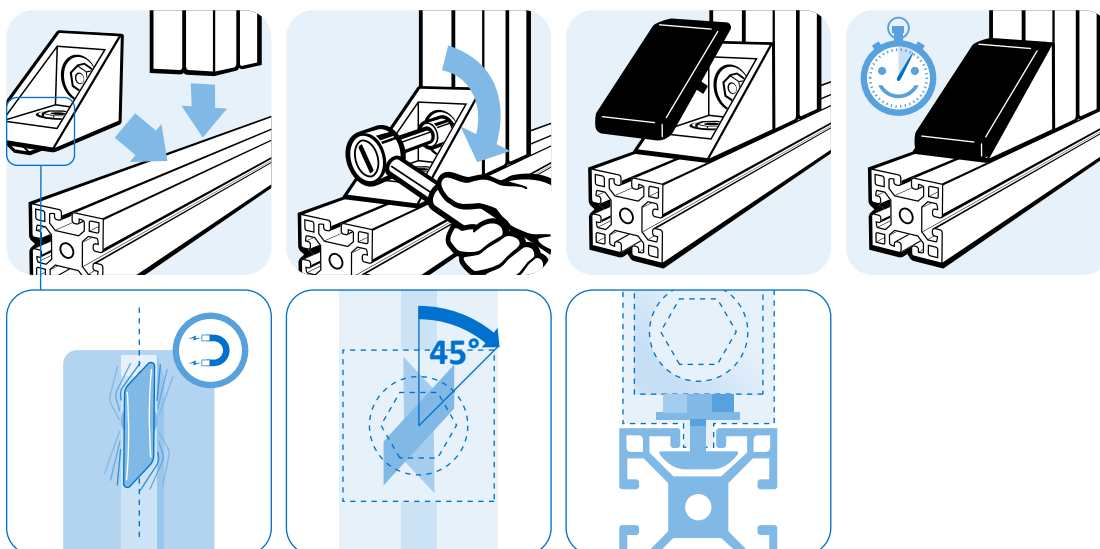
SLOT	WEIGHT [g]	PROFILE	PART #
8	331.6	I	<a href="#">093VM120120LN08</a>

**ALU CONNECTION ANGLE 40 M (SET)**

<b>MODEL</b>	Aluminum die-cast
<b>DESCRIPTION</b>	To connect two aluminum profiles quickly at right angles, direct inserting into the profile slot thanks to correct positioning of the pre-assembled magnet rhombus screws and countersunk nuts; the connection angle can be closed with the cover cap
<b>MATERIAL</b>	Angle: Aluminum die-cast Cover cap: Plastic PA, glass fiber reinforced, Magnet rhombus screws: Steel Countersunk nuts: Steel
<b>SURFACE</b>	Angle: Lacquered Countersunk nuts: Zinc plated
<b>COLOR</b>	Cover cap: Black, gray
<b>PACK QUANTITY</b>	10 pieces
<b>SPECIALS</b>	Other surfaces, other colors on request

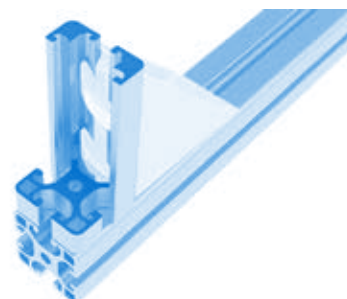
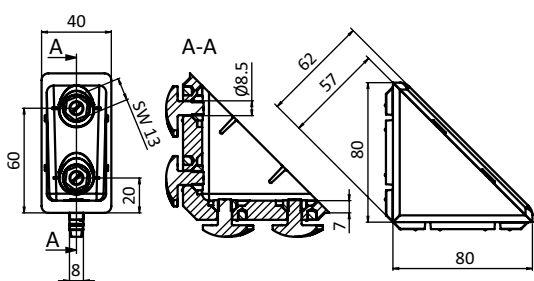


ALU CONNECTION ANGLE 40 M (SET)	N	WEIGHT [g]	PROFILE	PART #
	8	98.0		<b>093W406N08S01</b>
Cover cap Black		10.0		<b>093WA406</b>
Cover cap Gray ≈ RAL 7042		10.0		<b>093WA406S01</b>

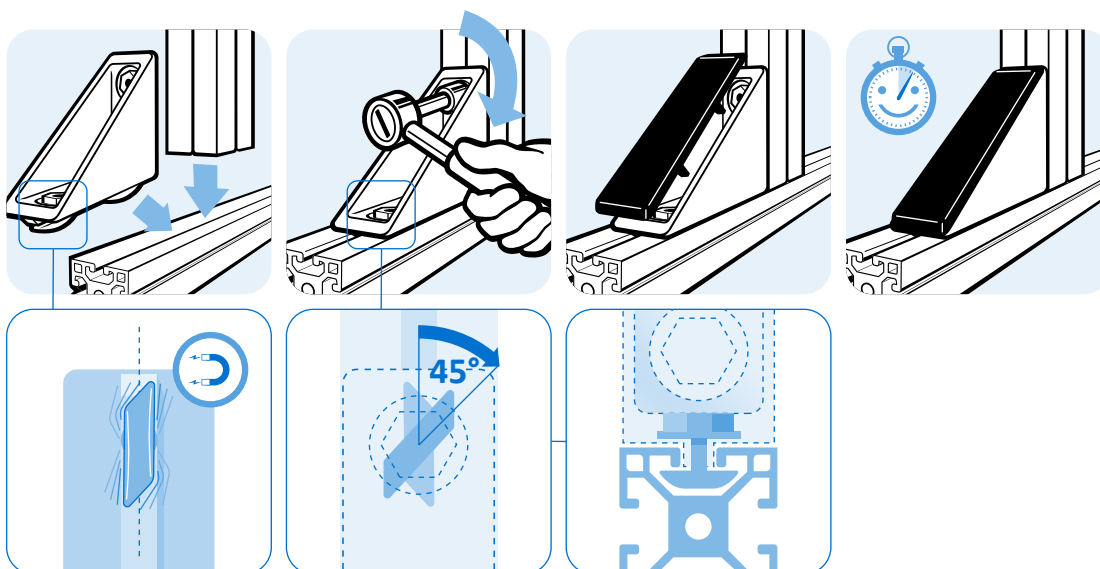


**ALU CONNECTION ANGLE 40 / 80 M (SET)**

<b>MODEL</b>	Aluminum die-cast
<b>DESCRIPTION</b>	To connect two aluminum profiles quickly at right angles, direct inserting into the profile slot thanks to correct positioning of the pre-assembled magnet rhombus screws and countersunk nuts; the connection angle can be closed with the cover cap
<b>MATERIAL</b>	Angle: Aluminum die-cast Cover cap: Plastic PA, glass fiber reinforced, Magnet rhombus screws: Steel Countersunk nuts: Steel
<b>SURFACE</b>	Angle: Lacquered Countersunk nuts: Zinc plated
<b>COLOR</b>	Cover cap: Black, gray
<b>PACK QUANTITY</b>	10 pieces
<b>SPECIALS</b>	Other surfaces, other colors on request

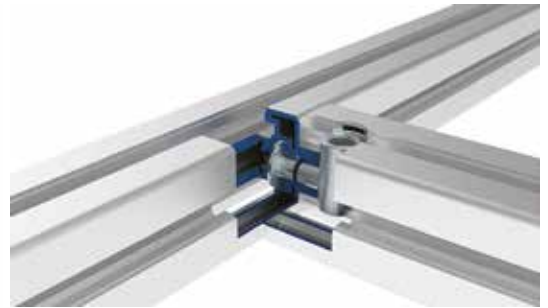
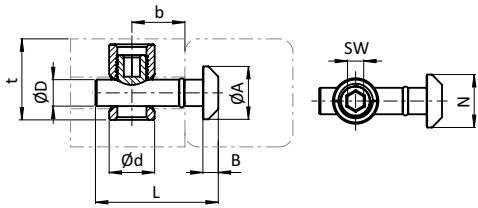


ALU CONNECTION ANGLE 40 / 80 M (SET)	N	WEIGHT [g]	PROFILE	PART #
	8	197.0		<b>093W809N08S01</b>
Cover cap Black		21.0		<b>093WA809</b>
Cover cap Gray ~ RAL 7042		21.0		<b>093WA809S01</b>



**CENTRAL CONNECTOR B UNIVERSAL, SLOT 10**

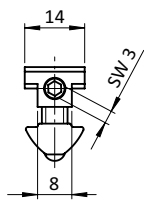
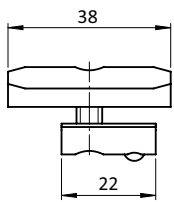
<b>MODEL</b>	Steel
<b>DESCRIPTION</b>	To connect two aluminum profiles at right angles; a blind or through hole must be drilled through one of the profiles to provide access to the tightening screw
<b>MATERIAL</b>	Steel
<b>SURFACE</b>	Zinc plated
<b>PACK QUANTITY</b>	10 pieces



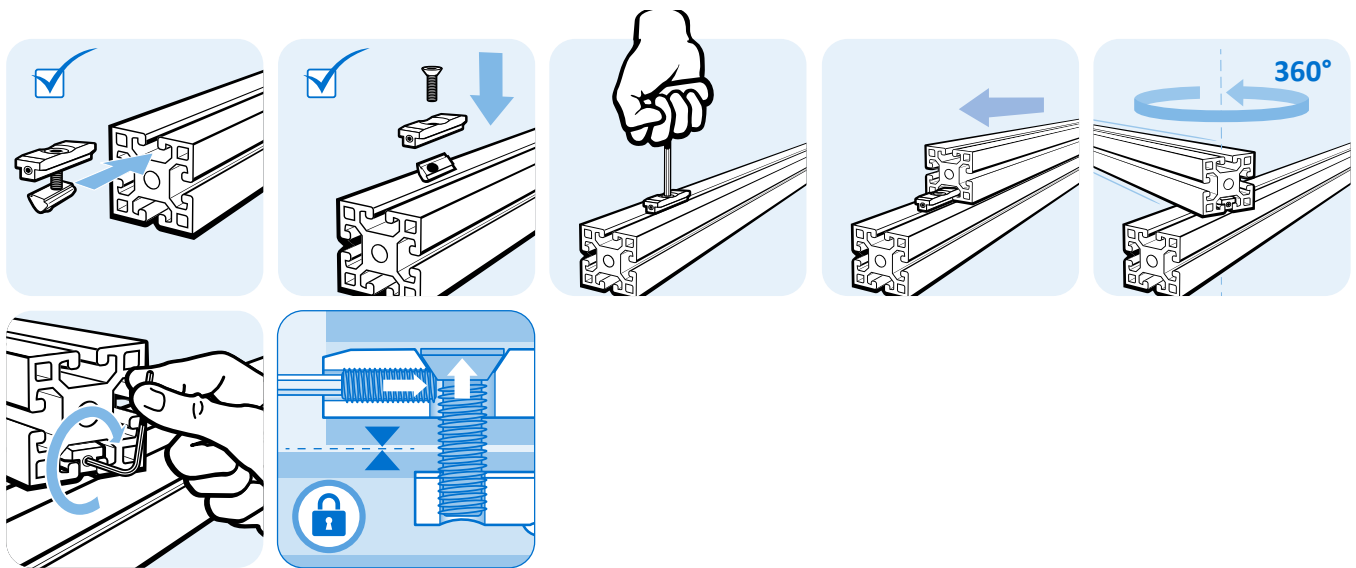
A [mm]	B [mm]	D [mm]	D [mm]	L [mm]	N	SW	WEIGHT [g]	PROFILE	PART #
19.6	5.5	9.8	16.85	46.0	10	6	63.0	B	099B101710

**DIRECT CONNECTOR I, SLOT 8**

<b>MODEL</b>	Steel
<b>DESCRIPTION</b>	To cross or parallelly connect two aluminum profiles; assembly without machining
<b>MATERIAL</b>	Steel
<b>SURFACE</b>	Zinc plated
<b>MAX. WEIGHT DOOR</b>	Load recommendation for each mounting point with even load spreading: $F_{max} = 400\text{ N}$
<b>PACK QUANTITY</b>	10 pieces



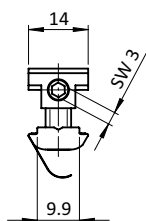
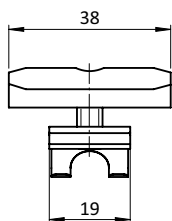
N	WEIGHT [g]	PROFILE	PART #
8	38.3	I	099DC084040N08



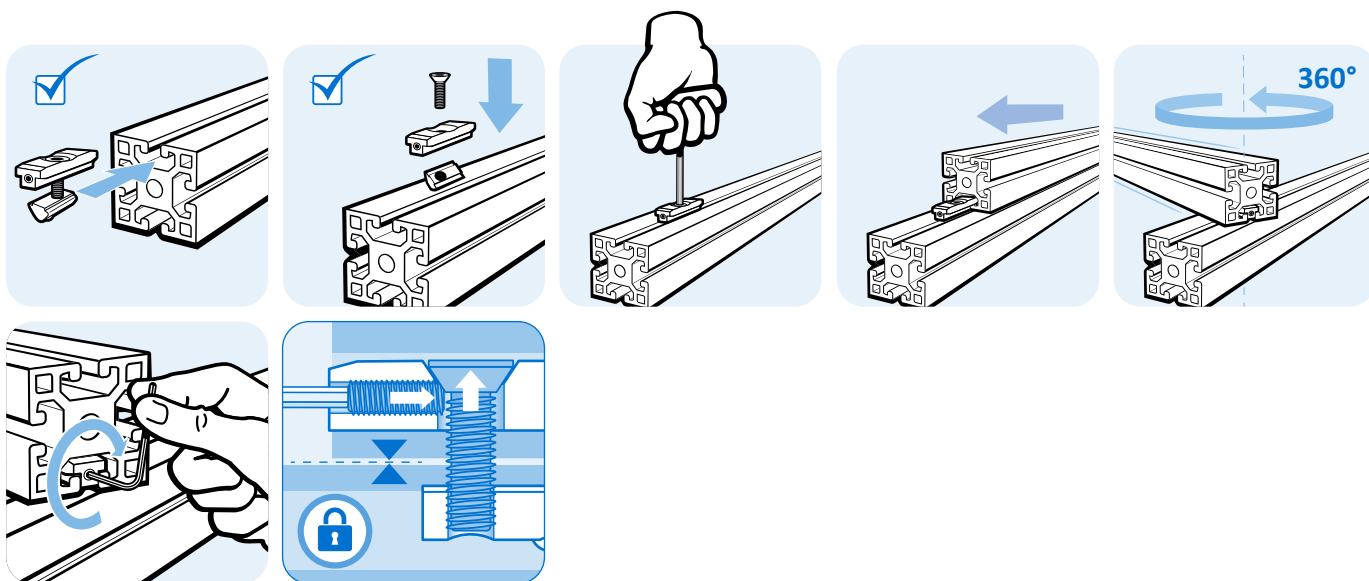


**DIRECT CONNECTOR I / B, SLOT 8 / 10**

<b>MODEL</b>	Steel
<b>DESCRIPTION</b>	To cross or parallelly connect two aluminum profiles slot 8 with slot 10; assembly without machining
<b>MATERIAL</b>	Steel
<b>SURFACE</b>	Zinc plated
<b>MAX. LOAD</b>	Load recommendation for each mounting point with even load spreading: $F_{max} = 400\text{ N}$
<b>PACK QUANTITY</b>	10 pieces

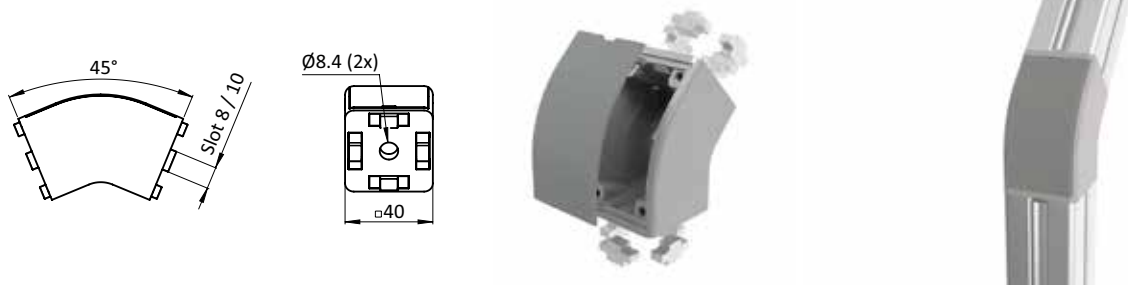


N	WEIGHT [g]	PROFILE	PART #
10	36.0	B	099DC084045N10



**ANGLE CONNECTOR | 40, 45° (SET)**

<b>MODEL</b>	Aluminum die-cast
<b>DESCRIPTION</b>	To connect two aluminum profiles at 45°
<b>MATERIAL</b>	Angle connector: Aluminum die-cast Centering pieces: Zinc die-cast Cover cap: Plastic PA, glass fiber reinforced
<b>SURFACE</b>	Angle connector: Laquered
<b>COLOR</b>	Angle connector: Alu color Cover cap: Gray ≈ RAL 7042
<b>SET</b>	1x angle connector, 4x centering pieces, 1x cover cap
<b>PACK QUANTITY</b>	10 set



N	WEIGHT [g]	PART #
8 / 10	138.0	<b>093WS40545N08S01</b>

## FRICITION JOINTS FOR SYSTEM ARMS

### FATH Friction Joints: Endless possibilities for your assembly workstations



- Fixed friction torque in 6 levels
- Freely adjustable friction torque
- Easy to assemble
- Can be mounted lengthwise, crosswise and on the front
- Finished system arms can be adjust multi-dimensionally

### HIGHLIGHTS

Build your swivel arms in individual lengths and designs with **FATH** Friction Joints. The joints feature a permanently set friction torque that is available in 6 levels. Combine the different friction torques to adapt your system arm to your application. Versions with freely adjustable friction torque are also available. You can adjust the friction with a clamping lever or simple tool exactly as your application requires – virtually continuously from light to strong.

The axes of the **FATH** Friction Joints can be positioned both vertically and horizontally. This opens up a wide range of new possibilities for making tools and work materials available in an ergonomic and organized manner. By a simple turning, the finished system arm can be adapted multi-dimensionally to different working positions and workpiece, product or body sizes.

### FIXED & FREELY ADJUSTABLE FRICITION TORQUES



### Flexible installation

**FATH** Friction Joints can be attached to the profile lengthwise, crosswise or on the front. The sets already contain the installation material for lateral attachment with T-slot nuts in profile slot 8 or 10 as well as for front attachment on a profile piece with an M8 core hole. To reduce a  $\varnothing 10.2$  mm core hole to thread size M8, you can use a **FATH** Cutting Bush with Shank 09308801.

For installation on flat surfaces, the supplied slot fixing plates are simply omitted.



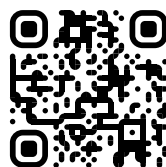
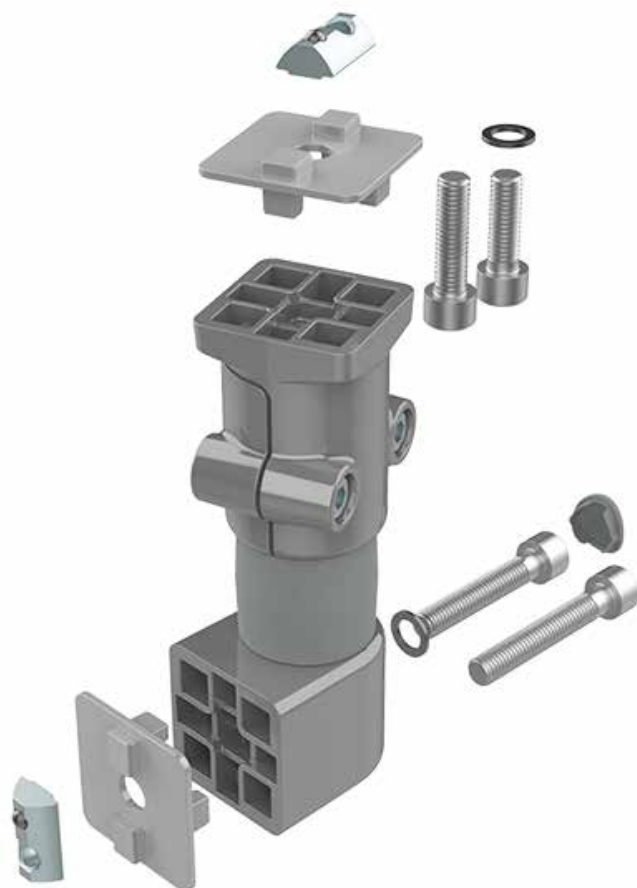
**Easy to install and with different versions to suit your needs**

Assembling the **FATH** Friction Joints is incredibly easy. The openings for the fixing screws are easily accessible from the outside – simply insert the screws through the joint halves and tighten the profile in the desired position. The mounting holes of the **FATH** Friction Joints are hidden with cover caps.

**Optional M8 connection adapter**

This stable connection to profiles with slot 8 or slot 10 is ideally suited for the construction of customized solutions. The M8 connection adapter can be attached to the profile both longitudinally and on the front. When using the centering piece, the central M8 screw connection can be secured against twisting. A friction joint half and an assembly set suitable for the profile size are required to install the M8 connection adapter at the end of your system arm.

Available in 7 different versions: with a fixed friction torque of 0.5 Nm, 3 Nm, 6 Nm, 9 Nm, 12 Nm or 15 Nm and with freely adjustable friction torque from light to strong.

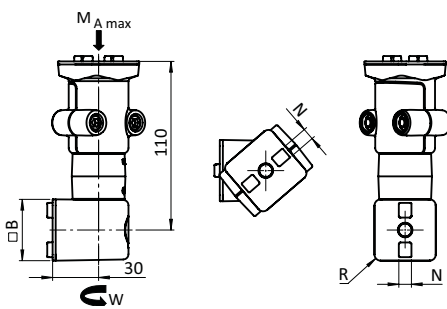


Would you like to learn more about **FATH** Friction Joints?

[frictionjoint.fath24.com](http://frictionjoint.fath24.com)

**END FRICTION JOINT I40L FOR SYSTEM ARM (SET)**

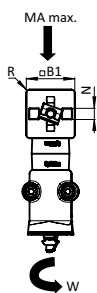
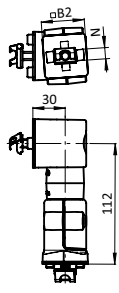
<b>MODEL</b>	40 mm Modular Dimension
<b>DESCRIPTION</b>	Connection joint with friction for the creation of system arms using profile pieces; pivotable 360°; End side can be attached lateral or transverse on the profile slot, friction axis is positioned at right angles to the profile; Friction joint side can be attached lateral, transverse, or on the face of the profile; if attached on the front face, the core hole of the respective profile must be M8 threaded (min. 15 mm deep)
<b>MATERIAL</b>	Housing: Aluminum die-cast Cover ring: Plastic Inserts: Steel Friction shaft: Steel Cover caps: Plastic Screws: Steel Washers: Steel Centering plates: Aluminum die-cast T-slot nuts: Steel
<b>SURFACE</b>	Housing: Laquered Centering plates: Laquered Screws: Zinc plated Washers: Zinc plated T-slot nuts: Zinc plated
<b>COLOR</b>	Housing: Alu color Cover ring: Gray ≈ RAL 7042 Cover caps: Gray ≈ RAL 7042 Centering plates: Alu color
<b>SET</b>	1 end friction joint 1 cover cap, 1 screw DIN EN ISO 4762 (DIN 912) - M8 x 45 (for T-slot nut friction joint side), 1 screw DIN EN ISO 4762 (DIN 912) - M8 x 25 (for T-slot nut end side), 1 screw DIN EN ISO 4762 (DIN 912) - M8 x 50 (for core hole friction joint side), 1 screw DIN EN ISO 4762 (DIN 912) - M8 x 30 (for core hole end side), 2 washers 8-FSt, 2 centering plates, 2 T-slot nuts - slot 8 - M8
<b>PACK QUANTITY</b>	1 set



W [Nm]	MA <sub>MAX</sub> [Nm]	B [mm]	R [mm]	N	WEIGHT [g]	PROFILE	PART #
0.5	45.0	40	4.0	8	758.6	I	<a href="#">061FAZ40LN08</a>
3	45.0	40	4.0	8	759.6	I	<a href="#">061FAN40LN08</a>
6	45.0	40	4.0	8	761.6	I	<a href="#">061FAS40LN08</a>
9	45.0	40	4.0	8	762.6	I	<a href="#">061FAM40LN08</a>
12	45.0	40	4.0	8	764.6	I	<a href="#">061FAB40LN08</a>
15	45.0	40	4.0	8	765.6	I	<a href="#">061FAL40LN08</a>

**END FRICTION JOINT B45-B45L FOR SYSTEM ARM (SET)**

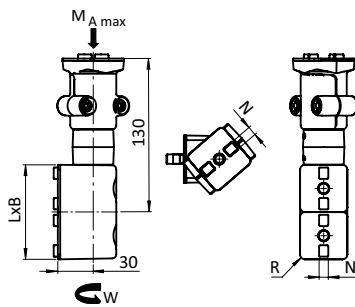
<b>MODEL</b>	45 to 40 mm Modular Dimension
<b>DESCRIPTION</b>	Connection joint with friction for the creation of system arms using profile pieces; pivotable 360°; End side can be attached lateral or transverse on the profile slot, friction axis is positioned at right angles to the profile; Friction joint side can be attached lateral, transverse, or on the face of the profile; if attached on the front face, the core hole of the respective profile must be M8 threaded (min. 20 mm deep)
<b>MATERIAL</b>	Housing: Aluminum die-cast Cover ring: Plastic Inserts: Steel Friction shaft: Steel Cover caps: Plastic Screws: Steel Washers: Steel Centering plates: Aluminum die-cast T-slot nuts: Steel
<b>SURFACE</b>	Housing: Laquered Centering plates: Laquered Screws: Zinc plated Washers: Zinc plated T-slot nuts: Zinc plated
<b>COLOR</b>	Housing: Alu color Cover ring: Gray ≈ RAL 7042 Cover caps: Gray ≈ RAL 7042 Centering plates: Alu color
<b>SET</b>	1 end friction joint 1 cover cap, 1 screw DIN EN ISO 4762 (DIN 912) - M8 x 45 (for T-slot nut friction joint side), 1 screw DIN EN ISO 4762 (DIN 912) - M8 x 25 (for T-slot nut end side), 1 screw DIN EN ISO 4762 (DIN 912) - M8 x 50 (for core hole friction joint side), 1 screw DIN EN ISO 4762 (DIN 912) - M8 x 30 (for core hole end side), 2 washers 8-FSt, 1 centering plate - slot 10 - 45 x 45, 1 centering plate - slot 10 - 40 x 40, 2 T-slot nuts - slot 10 - M8
<b>PACK QUANTITY</b>	1 set



W [Nm]	MA <sub>MAX</sub> [Nm]	R [mm]	N	B1 [mm]	B2 [mm]	WEIGHT [g]	PROFILE	PART #
0.5	45.0	3.0	10	45	40	761.2	B	<a href="#">061FAZ4540LN10</a>
3.0	45.0	3.0	10	45	40	771.7	B	<a href="#">061FAN4540LN10</a>
6.0	45.0	3.0	10	45	40	773.2	B	<a href="#">061FAS4540LN10</a>
9.0	45.0	3.0	10	45	40	774.6	B	<a href="#">061FAM4540LN10</a>
12.0	45.0	3.0	10	45	40	776.1	B	<a href="#">061FAB4540LN10</a>
15	45.0	3.0	10	45	40	777.6	B	<a href="#">061FAL4540LN10</a>

**END FRICTION JOINT I80L FOR SYSTEM ARM (SET)**

<b>MODEL</b>	40 mm Modular Dimension
<b>DESCRIPTION</b>	Connection joint with friction for the creation of system arms using profile pieces; pivotable 360°; End side can be attached lateral or transverse on the profile slot, friction axis is positioned at right angles to the profile; Friction joint side can be attached lateral, transverse, or on the face of the profile; if attached on the front face, the core hole of the respective profile must be M8 threaded (min. 15 mm deep)
<b>MATERIAL</b>	Housing: Aluminum die-cast Cover ring: Plastic Inserts: Steel Friction shaft: Steel Cover caps: Plastic Screws: Steel Washers: Steel Centering plates: Aluminum die-cast T-slot nuts: Steel
<b>SURFACE</b>	Housing: Laquered Centering plates: Laquered Screws: Zinc plated Washers: Zinc plated T-slot nuts: Zinc plated
<b>COLOR</b>	Housing: Alu color Cover ring: Gray ≈ RAL 7042 Cover caps: Gray ≈ RAL 7042 Centering plates: Alu color
<b>SET</b>	1 end friction joint 2 cover caps, 2 screws DIN EN ISO 4762 (DIN 912) - M8 x 45 (for T-slot nut friction joint side), 2 screws DIN EN ISO 4762 (DIN 912) - M8 x 25 (for T-slot nut end side), 1 screw DIN EN ISO 4762 (DIN 912) - M8 x 50 (for core hole friction joint side), 1 screw DIN EN ISO 4762 (DIN 912) - M8 x 30 (for core hole end side), 3 washers 8-FSt, 3 centering plates, 3 T-slot nuts - slot 8 - M8
<b>PACK QUANTITY</b>	1 set



W [Nm]	MA <sub>MAX</sub> [Nm]	R [mm]	N	L X B [mm]	WEIGHT [g]	PROFILE	PART #
0.5	70.0	4.0	8	80 x 40	1049.5	I	<a href="#">061FAZ80LN08</a>
3	70.0	4.0	8	80 x 40	1051.5	I	<a href="#">061FAN80LN08</a>
6	70.0	4.0	8	80 x 40	1052.5	I	<a href="#">061FAS80LN08</a>
9	70.0	4.0	8	80 x 40	1054.5	I	<a href="#">061FAM80LN08</a>
12	70.0	4.0	8	80 x 40	1055.5	I	<a href="#">061FAB80LN08</a>
15	70.0	4.0	8	80 x 40	1057.5	I	<a href="#">061FAL80LN08</a>

**MONITOR MOUNT ZN WITH LOCKING LEVER (SET)**

<b>MODEL</b>	Swivelling
<b>DESCRIPTION</b>	To fix flat screens to aluminum profile structures, VESA MIS-D 75/100 compatible, can be adjusted horizontally or vertically for optimum visibility, can be fixed with % locking lever at any angle; with separate locating pins for slot 8 and slot 10
<b>MATERIAL</b>	Monitor mounting plate: Plastic PA, glas fiber reinforced Pivot joint: Zinc die-cast % locking lever: Plastic PA, glas fiber reinforced
<b>SURFACE</b>	Pivot joint: Laquered
<b>COLOR</b>	Monitor mounting plate: Black Pivot joint: Alu colored Locking lever: Black
<b>SET 1</b>	1 monitor mounting plate 1 assembly set for monitor: 4 cylinder head screws M4 x 12, 4 washers 1 pivot joint 40 with locking lever 1 assembly set for profile: 1 screw M8 x 25 (frontal), 1 screw M8 x 16 (lateral), 2 locating pins
<b>SET 2</b>	1 monitor mounting plate 1 assembly set for monitor: 4 cylinder head screws M4 x 12, 4 washers 1 pivot joint 45 with locking lever 1 assembly set for profile: 1 screw M8 x 25 (frontal), 1 screw M8 x 16 (lateral), 2 locating pins
<b>PACK QUANTITY</b>	1 set
<b>SPECIALS</b>	Other colors on request
<b>TIP</b>	Cutting bush for the reduction of the Ø 10.2 mm core hole to thread size M8 see 09308801



SET	N	OPENING ANGLE	WEIGHT [g]	PART #
Set 1	- / 8 / 10	192°	434.0	<a href="#">061SM7510040FS03</a>
Set 2	- / 8 / 10	190°	481.0	<a href="#">061SM7510045FS01</a>



**MONITOR MOUNTING PLATE**

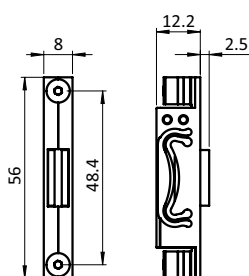
<b>DESCRIPTION</b>	To fix flat screens to aluminum profile structures, VESA MIS-D 75/100 compatible; with separate locating pins for slot 8 and slot 10
<b>MATERIAL</b>	Monitor mounting plate: Plastic PA, glass fiber reinforced
<b>COLOR</b>	Monitor mounting plate: Black
<b>SET</b>	1 monitor mounting plate 1 assembly set for monitor: 4 cylinder head screws M4x12, 4 washers assembly set for profile: M8x25 frontal and M8x16 slot side, 2 centering pieces
<b>PACK QUANTITY</b>	1 set
<b>SPECIALS</b>	Other colors on request
<b>TIP</b>	Cutting bush for the reduction of the Ø 10.2 mm core hole to thread size M8 see 09308801



N	WEIGHT [g]	PART #
- / 8 / 10	123.0	<b>061SM751004045</b>

**MAGNETIC HOLDER I, SLOT 8**

<b>MODEL</b>	Plastic PA
<b>DESCRIPTION</b>	For easy storage of metal tools and objects on aluminum profiles, holding force 20 N; Easy installation and positioning in the slot by clipping in and then tightening the expanding clamps
<b>MATERIAL</b>	Magnetic holder: Plastic PA Magnet: Neodymium Assembly material: Steel
<b>SURFACE</b>	Assembly material: Zinc plated
<b>COLOR</b>	Magnetic holder: Gray ≈ RAL 7042
<b>PACK QUANTITY</b>	1 piece



N	WEIGHT [g]	PROFILE	PART #
8	11.2	I	<a href="#">093323</a>

## MODULAR LED LAMPS AND POWER STRIPS F LINE

**FATH LED Lamps and Power Strips F Line: The modular system for lighting and electricity in the workplace**



- Remote dimming and remote switching
- Connect modules in series as needed
- Flexible lighting for every visual task
- Safe and space-saving light and power supply
- Tool-free one-handed adjustment with **FATH** Friction Joints
- ESD variants available
- Made in Germany

### HIGHLIGHTS

With **FATH** LED Lamps and Power Strips F Line, you can provide light and power at assembly workstations in a single integrated unit – safely, flexibly and when you need it. The lighting and power supply modules are available in different versions, can be easily connected to one another and universally installed on frames, panels and metal or wooden elements. The I8 profile slot on the rear makes them particularly well-suited for mounting on aluminum profile systems.

Power supply is an important aspect of workplace planning. It should be provided on the same surface or at the same height as the tabletop. The wiring should be stowed safely and protected from damage. This can be easily achieved with **FATH** Power Strips F Line – without long cables and with practical con-

nections that can be easily installed in the frame.

The LED lamps can be used as a top lamp or side lamp. Wider and facing workstations can also be equipped with an ideal arrangement of multiple lamps in series. You can flexibly combine the short version (16 watts) with the longer version (40 watts). The lamps can be connected directly to the mains thanks to the integrated control gear. On request, there is the option to dim several lights at the same time.

### REMOTE DIMMING & REMOTE SWITCHING



### Modular concept: Units can be used separately or in combination – total output of up to 3500 watts

Combine **FATH** LED Lamps and Power Strips F Line as your workplace requires – an elegant, space-saving solution. All modules have a compact external dimension of 60 x 60 mm. You can connect up to six modules in series and reach a total length of up to eight meters, including cables. The connection cables are available in various standard lengths. Your modular solution for light and power offers a total output of up to 3500 watts for your LED lights and work tools connected to the power strip.

### Directly dimmable LED lamp

In the directly dimmable variant of the LED lamp, the on/off function as well as the dimming are controlled using the dimming button on the input side of the lamp. The last light intensity setting is saved and automatically retrieved the next time the device is switched on.

### Remote switching via the power strip

If you connect a **FATH** Power Strip to an LED lamp, you can remotely switch off the lamp using the large switch on the power strip. The power to the outlets can be disconnected by the switch but will still continue to flow through to the LED lamp. Even though the outlets are deactivated, the light supply is not affected. If several lights are connected in series on a single power strip, all the lights can be switched on and off with a single click of the switch. If directly dimmable LED lights are used, each light is dimmed as needed.

### Convenient remote dimming via the power strip

If the LED lamp is connected to a **FATH** Power Strip that has a dimming button at the output, the light intensity can be adjusted by pressing the dimming button. Each employee can easily adjust the required light intensity for each visual task – regardless of their height and work position. The on/off function for the LED lamp is integrated in the dimming button. One particularly clever feature: In this variant, the dimming strength is stored in the lighting electronics and controlled via a signal from the power strip.

### High light quality and energy-saving operation

Thanks to the conical prism disc, **FATH** LED Lamps provide the workstation with a uniform, glare- and flicker-free luminous flux in workplace-friendly neutral white. They consume significantly less electricity than conventional lights and are virtually maintenance-free thanks to the long service life of up to 100,000 hours for modern LEDs.



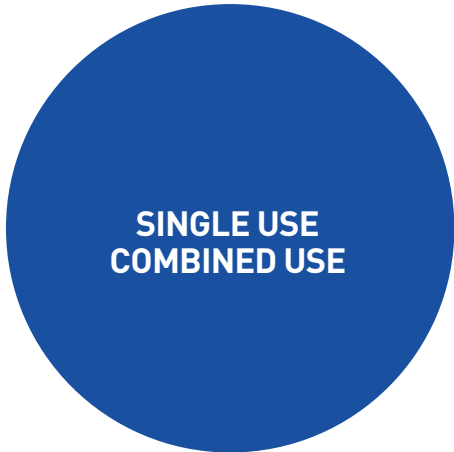
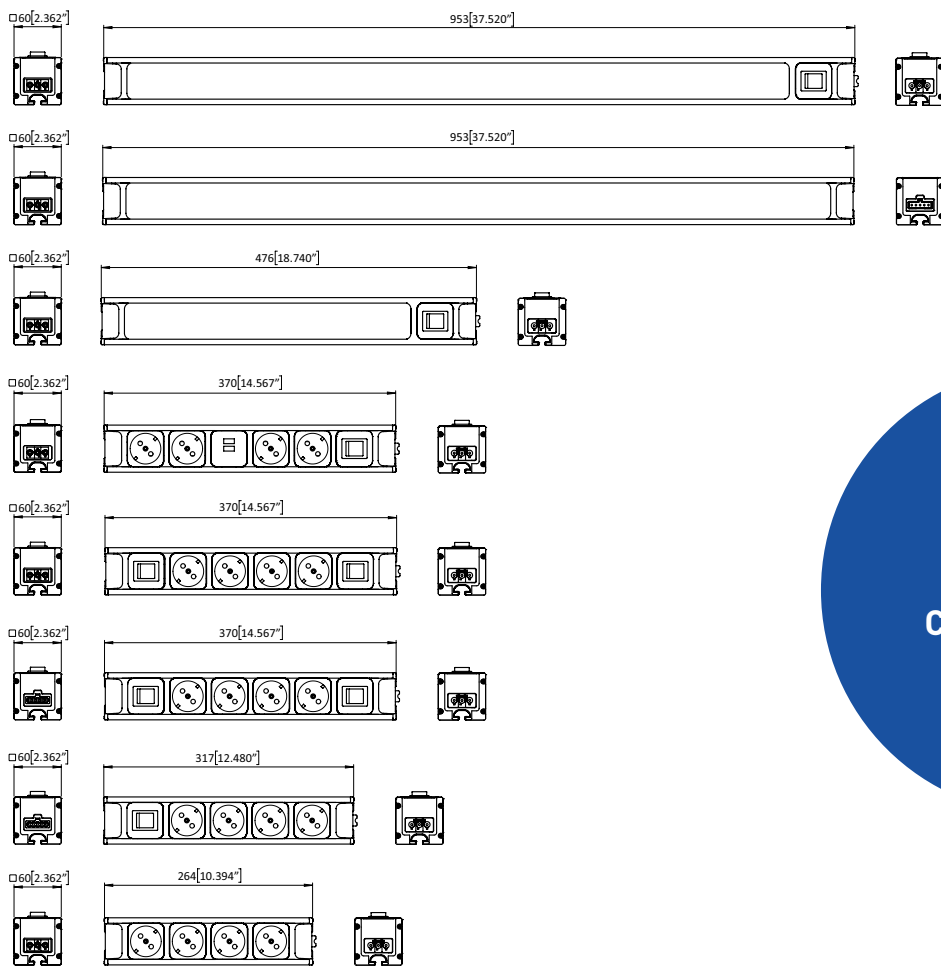
### Multiple assembly tables

If two assembly workstations are to be supplied with power and light during production, you can, for example, equip both workstations with one LED lamp each and two power strips and connect all six modules with cables. The power is then supplied from one side in series. For example, if you use two 40-watt LED lamps, a total of 3,420 watts of power remains for the outlets.

With the **FATH** solution for light and electricity, two facing work tables can be supplied compactly and at the same time with enough outlets for the power consumers.

### USB for media use at the workplace

**FATH** Power Strips F Line are also available in a version with an integrated USB port. This means, for example, that tablets for providing information can be operated or charged directly via SMART-IC on the permanently installed power infrastructure – without a power supply unit.



**ESD variants: Light and power for ESD-compliant workstations**

FATH LED Lamps and Power Strips F Line are also available for ESD-protected workstations. The aluminum body has an electrostatic discharge coating in black.





### Flexible installation with a wide range of accessories

The modules for light and power can be attached to almost any stable support using the slot on the back. Many different installation elements are available: direct connectors, T-connector plates, steel brackets, track connectors and friction joints. All types of installation are designed for fixed installation of the modules in order to ensure safe operation.

### Safe installation of the F Line system

Electrical connections of the F Line system modules are made using practical accessories. If you need a greater distance between the modules, the system can be configured with connection cables of different lengths. You can connect individual modules for light and power directly to each other by using a connection coupling. All **FATH** LED Lamps and Power Strips F Line are equipped with three or five-pin receptacles. Unused sockets are covered with plastic end caps, which can be ordered if required.

Numerous solutions for optimal cable attachment are available for the safe and compact cabling of your light and power system.



Connecting Strip  
140 I, Slot 8,  
096060S02



Direct Connector,  
099DC084040N08



T-connector Plate  
D28, 093VAD28V



Steel Connection  
Angle 40 EH  
093WU4060V  
093WU4080V



Friction Joints



End Friction Joints



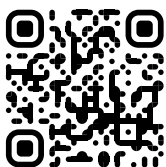
More on **FATH** Cable Attachments:  
[cable-fixation.fath24.com](http://cable-fixation.fath24.com)

### Pure flexibility: FATH LED Lamps F Line combined with FATH Friction Joints

You can achieve highly flexible lighting using **FATH** LED Lamps in combination with **FATH** Friction Joints. The employee can easily adjust and turn the LED lamp at any time as needed – without tools or screws. The friction keeps the lamp securely in the desired position.



More on **FATH** Friction Joints:  
[frictionjoint.fath24.com](http://frictionjoint.fath24.com)

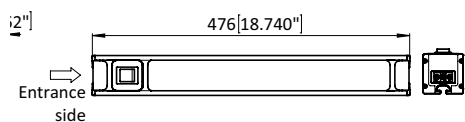


Would you like to learn more about **FATH** LED Lamps and Power Strips F Line?

[module-f-line.fath24.com](http://module-f-line.fath24.com)

**LED LAMP MODULE F LINE I 476, INPUT DIMMABLE**

<b>DESCRIPTION</b>	LED Lamp with dimmer button for power and light supply at work stations On the backside with slot 8 for mounting on aluminum profiles
<b>MATERIAL</b>	Housing: Aluminum End caps: Plastic PA, carbon fibre reinforced Diffusing screen: Polycarbonate Dimmer button: Plastic ABS/PA
<b>SURFACE</b>	Housing standard version: Anodized Housing ESD electrostatical discharging version: Powder coated
<b>COLOR</b>	Housing standard version: - Housing ESD electrostatical discharging version: Black End caps: Black Diffusing screen: transparent Dimmer button standard version: Blue Dimmer button ESD electrostatical discharging version: Orange
<b>LENGTH</b>	476 mm
<b>BEAM ANGLE</b>	80°
<b>COLOR RENDERING INDEX</b>	Ra = 85
<b>COLOR TEMPERATURE</b>	4000 K
<b>IP RATING</b>	IP20
<b>LED LIFETIME</b>	> 100000 h
<b>LUMINOUS EFFICACY</b>	86 lm/W
<b>LUMINOUS FLUX</b>	1396 lm
<b>OPERATING CURRENT</b>	Max. 16 A
<b>OPERATING TEMPERATURE</b>	0 - 40° C
<b>OPERATING VOLTAGE / FREQUENCY</b>	230 V, AC / 50 Hz
<b>POWER INPUT</b>	17 W
<b>PROTECTION CLASS</b>	I (1)
<b>PACK QUANTITY</b>	1 piece
<b>SPECIALS</b>	Other lengths, other colors on request
<b>TIP</b>	Compatible power strip see 6SBEU04I.264 Compatible connection cable see 6ACP5J516B.2000 Compatible connection coupling see 6SAKP3J316B Compatible cover cap for 3 pole female connector see 063SGF3S01 Compatible direct connector I, slot 8 see 099DC084040N08 Compatible direct connector I / B, Slot 8 / 10 see 099DC084045N10
<b>TIP 2</b>	Please note: Max. chaining of 6 modules, 8 m or 3500 watts for Module F Line

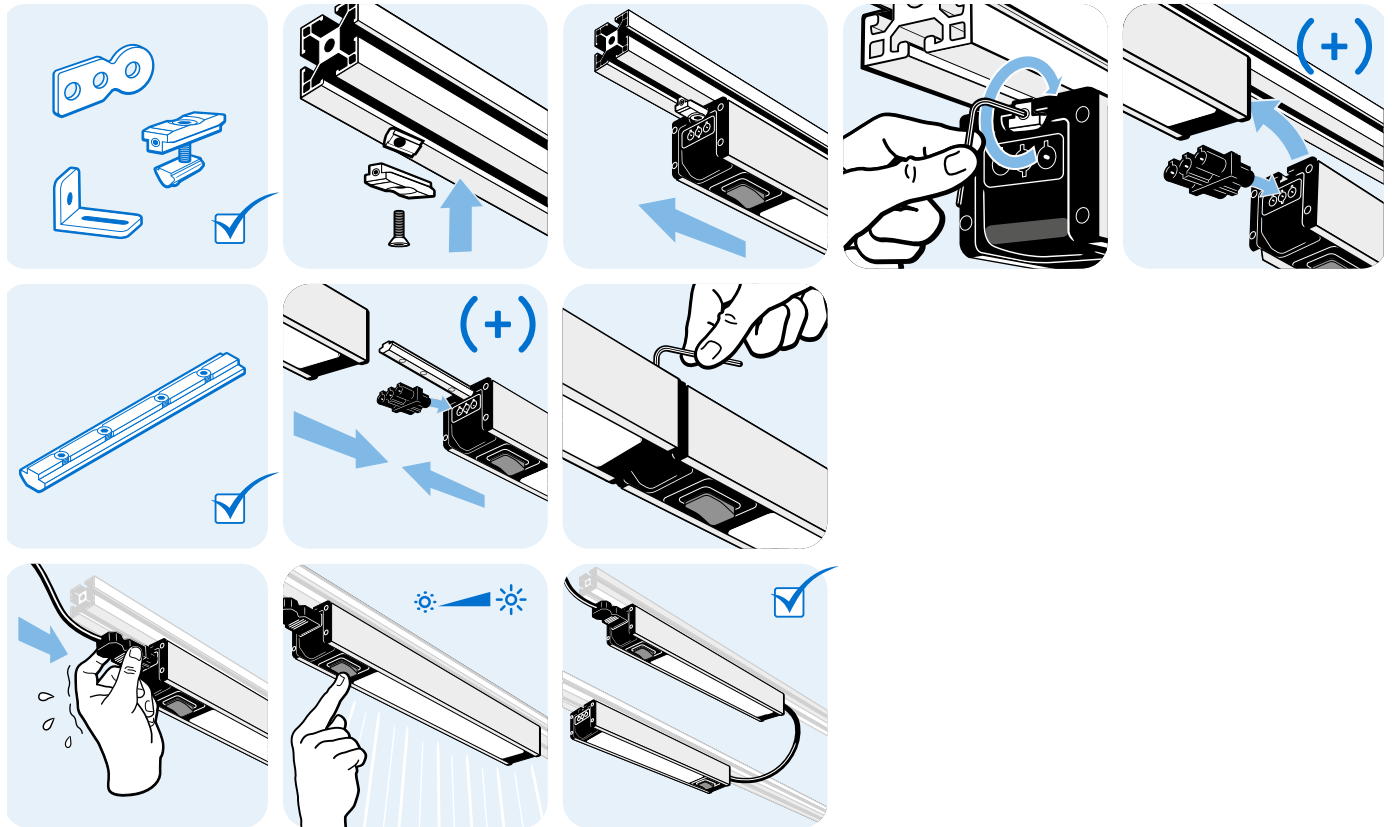


1



LED LAMP MODULE F LINE | 476, INPUT DIMMABLE

ESD	SLOT	WEIGHT [g]	PROFILE	PART #
	8	1360.0	I	<b>6SL1040DI.476</b>
ESD	8	1360.0	I	<b>6SL1040DIE.476</b>





**LED LAMP MODULE F LINE I 953**

<b>DESCRIPTION</b>	Remote dimmable LED Lamp for power and light supply at work stations Input side only compatible with power strip Modul F Line with dimmable exit On the backside with slot 8 for mounting on aluminum profiles
<b>MATERIAL</b>	Housing: Aluminum End caps: Plastic PA, carbon fibre reinforced Diffusing screen: Polycarbonate Dimmer button: Plastic ABS/PA
<b>SURFACE</b>	Housing standard version: Anodized Housing ESD electrostatical discharging version: Powder coated
<b>COLOR</b>	Housing standard version: - Housing ESD electrostatical discharging version: Black End caps: Black Diffusing screen: transparent Dimmer button standard version: Blue Dimmer button ESD electrostatical discharging version: Orange
<b>LENGTH</b>	953 mm
<b>BEAM ANGLE</b>	79°
<b>COLOR RENDERING INDEX</b>	Ra=85
<b>COLOR TEMPERATURE</b>	4000 K
<b>IP RATING</b>	IP20
<b>LED LIFETIME</b>	> 100000 h
<b>LUMINOUS EFFICACY</b>	86 lm/W
<b>LUMINOUS FLUX</b>	3294 lm
<b>OPERATING CURRENT</b>	Max. 16 A
<b>OPERATING TEMPERATURE</b>	0 - 40° C
<b>OPERATING VOLTAGE / FREQUENCY</b>	230 V, AC / 50 Hz
<b>POWER INPUT</b>	40 W
<b>PROTECTION CLASS</b>	I (1)
<b>PACK QUANTITY</b>	1 piece
<b>SPECIALS</b>	Other lengths, other colors on request
<b>TIP</b>	Compatible power strip Module F Line, output dimmable see 6SBEU24DIE.370 Compatible connection cable see 6ACP5J516B.2000 Compatible connection coupling see 6SAKP3J316B Compatible cover cap for 3 pole female connector see 063SGF3S01 Compatible direct connector I, slot 8 see 099DC084040N08 Compatible direct connector I / B, Slot 8 / 10 see 099DC084045N10
<b>TIP 2</b>	Please note: Max. chaining of 6 modules, 8 m or 3500 watts for Module F Line



ESD	SLOT	WEIGHT [g]	PROFILE	PART #
	8	2420.0	I	<a href="#">6SL0040I.953</a>
ESD	8	2420.0	I	<a href="#">6SL0040IE.953</a>

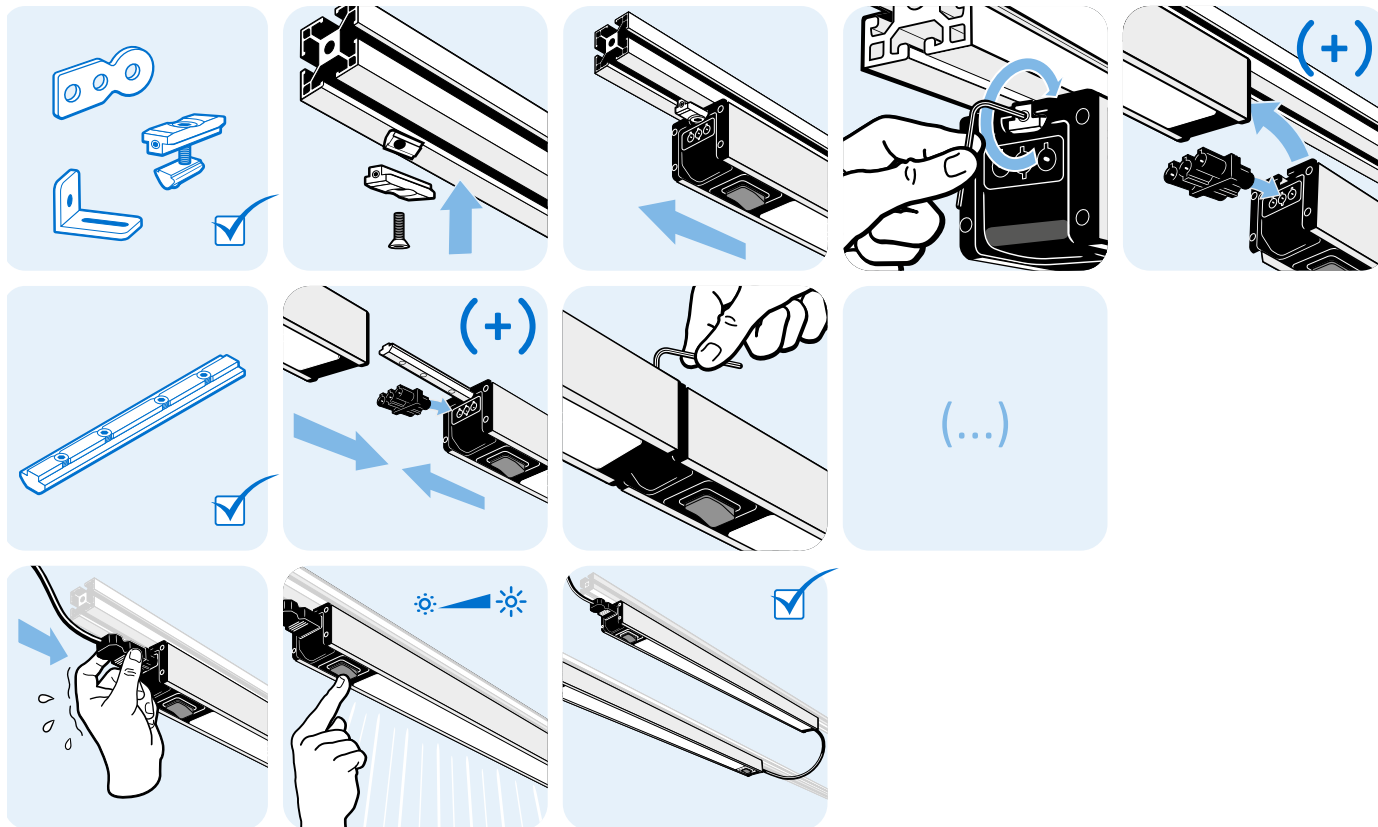
**LED LAMP MODULE F LINE I 953, INPUT DIMMABLE**

<b>DESCRIPTION</b>	LED Lamp with dimmer button for power and light supply at work stations On the backside with slot 8 for mounting on aluminum profiles
<b>MATERIAL</b>	Housing: Aluminum End caps: Plastic PA, carbon fibre reinforced Diffusing screen: Polycarbonate Dimmer button: Plastic ABS/PA
<b>SURFACE</b>	Housing standard version: Anodized Housing ESD electrostatical discharging version: Powder coated
<b>COLOR</b>	Housing standard version: - Housing ESD electrostatical discharging version: Black End caps: Black Diffusing screen: transparent Dimmer button standard version: Blue Dimmer button ESD electrostatical discharging version: Orange
<b>LENGTH</b>	953 mm
<b>BEAM ANGLE</b>	79°
<b>COLOR RENDERING INDEX</b>	Ra=85
<b>COLOR TEMPERATURE</b>	4000 K
<b>IP RATING</b>	IP20
<b>LED LIFETIME</b>	> 100000 h
<b>LUMINOUS EFFICACY</b>	86 lm/W
<b>LUMINOUS FLUX</b>	3294 lm
<b>OPERATING CURRENT</b>	Max. 16 A
<b>OPERATING TEMPERATURE</b>	0 - 40° C
<b>OPERATING VOLTAGE / FREQUENCY</b>	230 V, AC / 50 Hz
<b>POWER INPUT</b>	40 W
<b>PROTECTION CLASS</b>	I (1)
<b>PACK QUANTITY</b>	1 piece
<b>SPECIALS</b>	Other lengths, other colors on request
<b>TIP</b>	Compatible power strip see 6SBEU041.264 Compatible main power cable see 6SAME4J316B.2000 Compatible connection cable see 6ACP5J516B.2000 Compatible cover cap for 3 pole female connector see 063SGF3S01 Compatible direct connector I, slot 8 see 099DC084040N08 Compatible direct connector I / B, Slot 8 / 10 see 099DC084045N10
<b>TIP 2</b>	Please note: Max. chaining of 6 modules, 8 m or 3500 watts for Module F Line



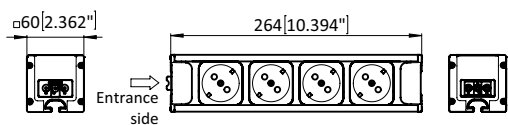
LED LAMP MODULE F LINE | 953, INPUT DIMMABLE

ESD	SLOT	WEIGHT [g]	PROFILE	PART #
	8	2420.0	I	6SL1040DI.953
ESD	8	2420.0	I	6SL1040DIE.953



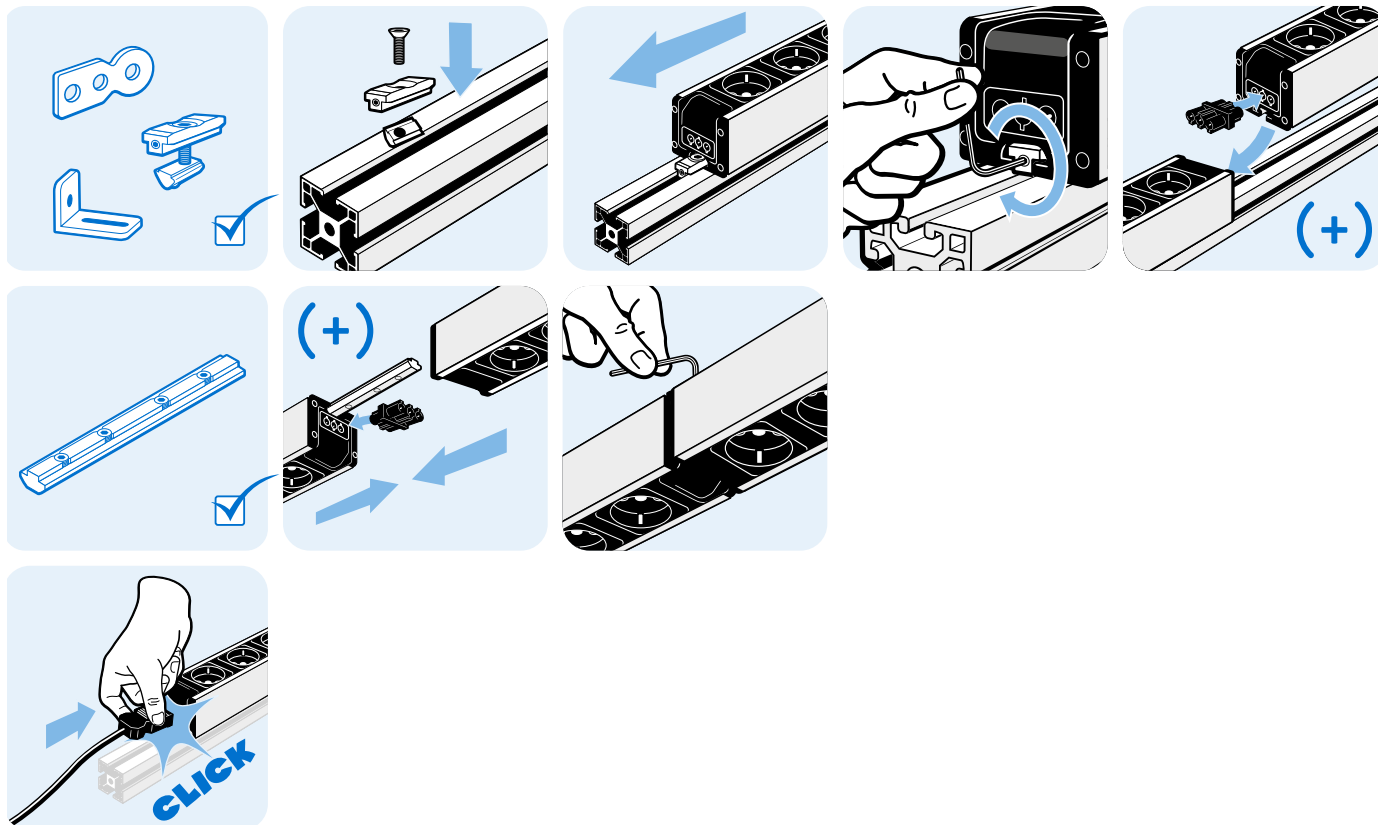
**POWER STRIP MODULE F LINE 264 4-WAY 4X**

<b>DESCRIPTION</b>	Power strip with sockets for power supply at workstations; On the backside with slot 8 for mounting on aluminum profiles
<b>MATERIAL</b>	Housing: Aluminum End caps: Plastic PA, carbon fibre reinforced Socket inserts: Plastic PA
<b>SURFACE</b>	Housing standard version: Anodized Housing ESD electrostatical discharging version: Powder coated
<b>COLOR</b>	Housing standard version: - Housing ESD electrostatical discharging version: Black End caps: Black Socket inserts: Black
<b>LENGTH</b>	264 mm
<b>IP RATING</b>	IP20
<b>MAX. CONNECTION POWER</b>	3500 W
<b>OPERATING CURRENT</b>	Max. 16 A
<b>OPERATING TEMPERATURE</b>	0 - 40° C
<b>OPERATING VOLTAGE / FREQUENCY</b>	230 V, AC / 50 Hz
<b>PROTECTION CLASS</b>	II (2)
<b>PACK QUANTITY</b>	1 piece
<b>SPECIALS</b>	Further colors, individually configured power strips on request
<b>TIP</b>	Compatible LED lamp see 6SL0040I.953 Compatible main power cable see 6SAME4J316B.2000 Compatible connection cable see 6ACP5J516B.2000 Compatible connection coupling see 6SAKP3J316B Compatible cover cap for 3 pole female connector see 063SGF3S01 Compatible direct connector I, slot 8 see 099DC084040N08 Compatible direct connector I / B, Slot 8 / 10 see 099DC084045N10
<b>TIP 2</b>	Please note: Max. chaining of 6 modules, 8 m or 3500 watts for Module F Line



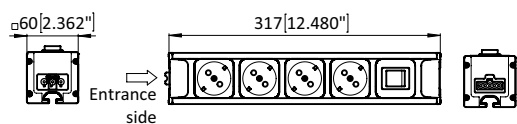
POWER STRIP MODULE F LINE 264 4-WAY 4X

ESD	SLOT	SOCKET TYPE	WEIGHT [g]	PROFILE	PART #
	8	EU: CEE 7/3 (Type F)	566.0	I	<a href="#">6SBEU04I.264</a>
ESD	8	EU: CEE 7/3 (Type F)	566.0	I	<a href="#">6SBEU04IE.264</a>



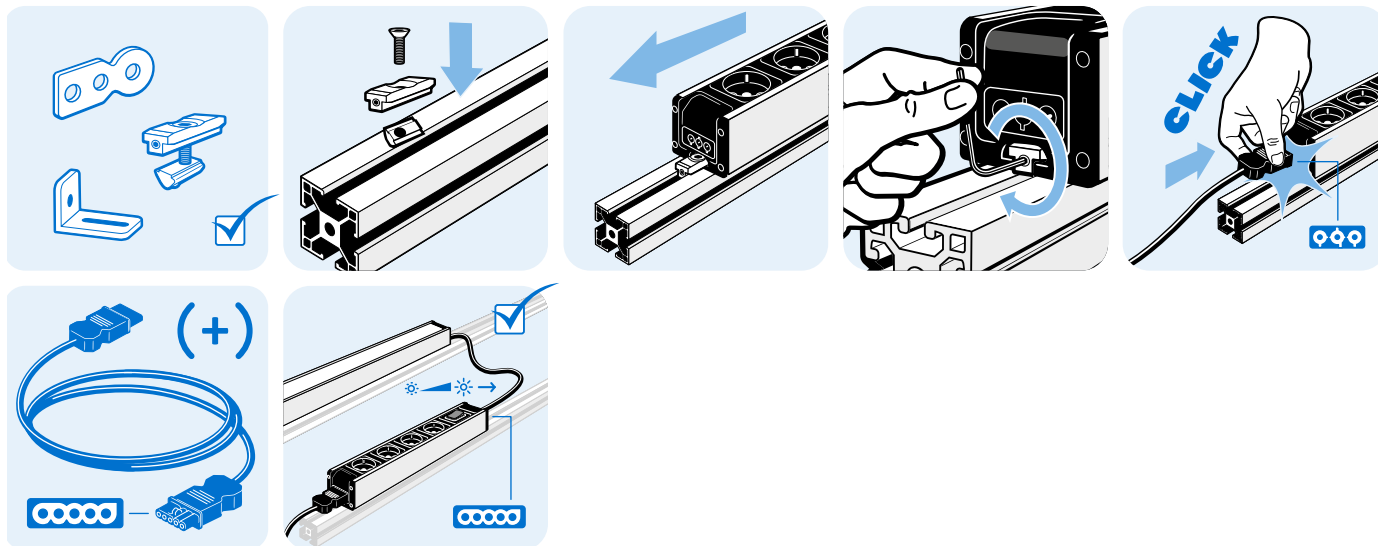
**POWER STRIP MODULE F LINE 317 5-WAY 4X, OUTPUT DIMMABLE**

<b>DESCRIPTION</b>	Power strip with sockets for power supply at workstations; With remote dimming for series-connected LED lamps Modul F Line; Combination on output side only possible with remote dimmable LED lamp module F Line; On the backside with slot 8 for mounting on aluminum profiles
<b>MATERIAL</b>	Housing: Aluminum End caps: Plastic PA, carbon fibre reinforced Socket inserts: Plastic PA Button: Plastic ABS / PA
<b>SURFACE</b>	Housing standard version: Anodized Housing ESD electrostatical discharging version: Powder coated
<b>COLOR</b>	Housing standard version: - Housing ESD electrostatical discharging version: Black End caps: Black Socket inserts: Black Dimmer button standard version: Blue Dimmer button ESD electrostatical discharging version: Orange
<b>LENGTH</b>	317 mm
<b>IP RATING</b>	IP20
<b>MAX. CONNECTION POWER</b>	3500 W
<b>OPERATING CURRENT</b>	Max. 16 A
<b>OPERATING TEMPERATURE</b>	0 - 40° C
<b>OPERATING VOLTAGE / FREQUENCY</b>	230 V, AC / 50 Hz
<b>PROTECTION CLASS</b>	II (2)
<b>PACK QUANTITY</b>	1 piece
<b>SPECIALS</b>	Further colors, individually configured power strips on request
<b>TIP</b>	Compatible LED lamp see 6SL0040I.953 Compatible main power cable see 6SAME4J316B.2000 Compatible connection cable see 6ACP5J516B.2000 Compatible direct connector I, slot 8 see 099DC084040N08 Compatible direct connector I / B, Slot 8 / 10 see 099DC084045N10
<b>TIP 2</b>	Please note: Max. chaining of 6 modules, 8 m or 3500 watts for Module F Line



**POWER STRIP MODULE F LINE 317 5-WAY 4X, OUTPUT DIMMABLE**

ESD	SLOT	SOCKET TYPE	WEIGHT [g]	PROFILE	PART #
	8	EU: CEE 7/3 (Type F)	590.0	I	<a href="#">6SBEU14DI.317</a>
ESD	8	EU: CEE 7/3 (Type F)	590.0	I	<a href="#">6SBEU14DIE.317</a>



**POWER STRIP MODULE F LINE 370 6-WAY 4X + USB, INPUT SWITCHABLE**

<b>DESCRIPTION</b>	Switchable power strip with sockets for power supply at workstations, with 2x USB charging sockets USB 2.0 Typ A with smart IC; On the backside with slot 8 for mounting on aluminum profiles
<b>MATERIAL</b>	Housing: Aluminum End caps: Plastic PA, carbon fibre reinforced Socket inserts: Plastic PA USB sockets: Plastic ABS Switch: Plastic ABS / PA
<b>SURFACE</b>	Housing: Anodized
<b>COLOR</b>	Housing: - End caps: Black Socket inserts: Black Switch: Blue
<b>LENGTH</b>	370 mm
<b>IP RATING</b>	IP20
<b>MAX. CONNECTION POWER</b>	3500 W
<b>MAX. USB CHARGING CURRENT</b>	3000 mA
<b>OPERATING CURRENT</b>	Max. 16 A
<b>OPERATING TEMPERATURE</b>	0 - 40° C
<b>OPERATING VOLTAGE / FREQUENCY</b>	230 V, AC / 50 Hz
<b>PROTECTION CLASS</b>	II (2)
<b>USB CHARGING VOLTAGE</b>	5.0 V
<b>PACK QUANTITY</b>	1 piece
<b>SPECIALS</b>	Further colors, individually configured power strips on request
<b>TIP</b>	Compatible LED lamp see 6SL0040I.953 Compatible main power cable see 6SAME4J316B.2000 Compatible connection cable see 6ACP5J516B.2000 Compatible connection coupling see 6SAKP3J316B Compatible cover cap for 3 pole female connector see 063SGF3S01 Compatible direct connector I, slot 8 see 099DC084040N08 Compatible direct connector I / B, Slot 8 / 10 see 099DC084045N10
<b>TIP 2</b>	Please note: Max. chaining of 6 modules, 8 m or 3500 watts for Module F Line



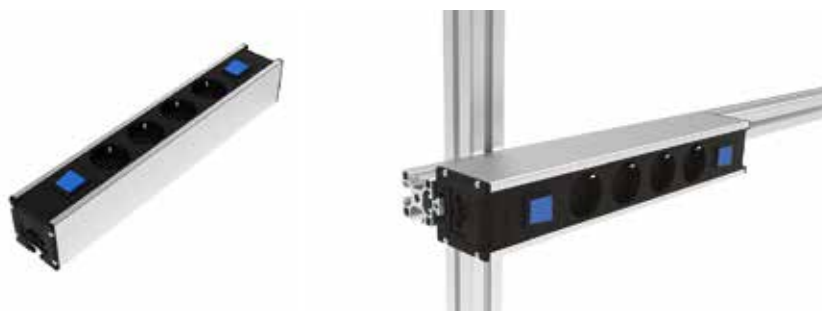
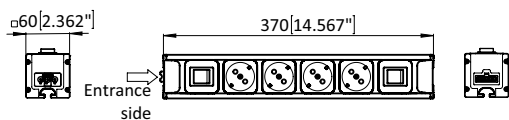


**POWER STRIP MODULE F LINE 370 6-WAY 4X + USB, INPUT SWITCHABLE**

	SLOT	SOCKET TYPE	WEIGHT [g]	PROFILE	PART #
	8	EU: CEE 7/3 (Type F)	738.0	I	6SBEU14U1.370

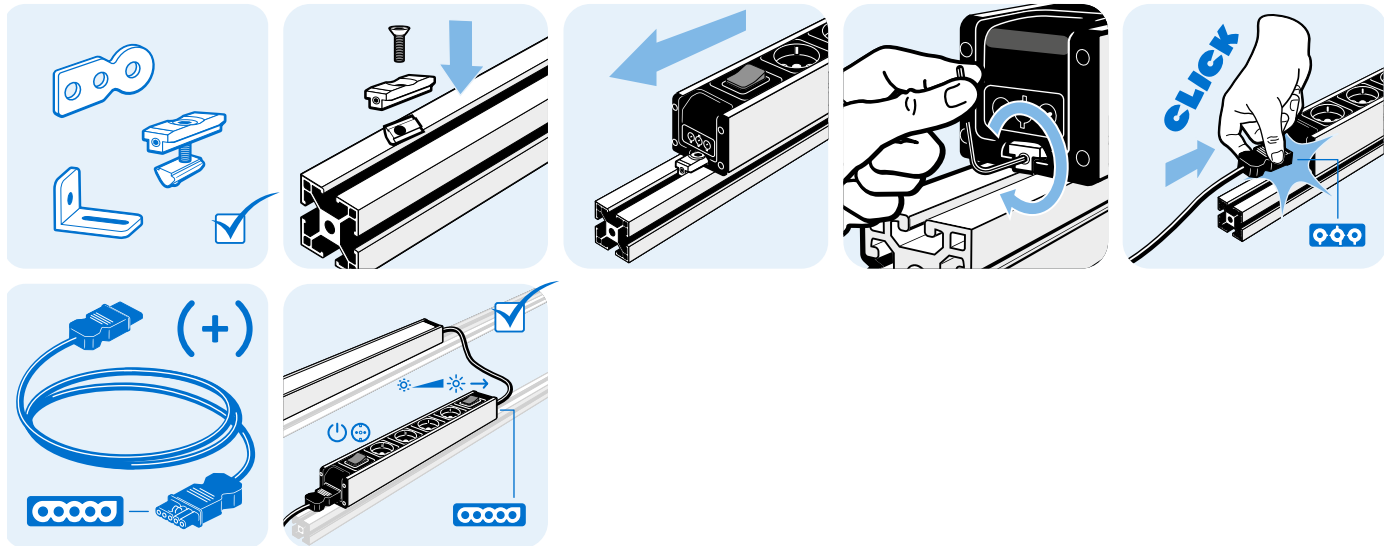
**POWER STRIP MODULE F LINE 370 6-WAY 4X, INPUT SWITCHABLE, OUTPUT DIMMABLE**

<b>DESCRIPTION</b>	Switchable power strip with sockets for power supply at workstations; With remote dimmer for series-connected LED lamps Modul F Line; Combination on output side only possible with remote dimmable LED lamp module F Line; On the backside with slot 8 for mounting on aluminum profiles
<b>MATERIAL</b>	Housing: Aluminum End caps: Plastic PA, carbon fibre reinforced Socket inserts: Plastic PA Switch/ Button: Plastic ABS / PA
<b>SURFACE</b>	Housing standard version: Anodized Housing ESD electrostatical discharging version: Powder coated
<b>COLOR</b>	Housing standard version: - Housing ESD electrostatical discharging version: Black End caps: Black Socket inserts: Black Switch and dimmer button standard version: Blue Switch and dimmer button ESD electrostatical discharging version: Orange
<b>LENGTH</b>	370 mm
<b>IP RATING</b>	IP20
<b>MAX. CONNECTION POWER</b>	3500 W
<b>OPERATING CURRENT</b>	Max. 16 A
<b>OPERATING TEMPERATURE</b>	0 - 40° C
<b>OPERATING VOLTAGE / FREQUENCY</b>	230 V, AC / 50 Hz
<b>PROTECTION CLASS</b>	II (2)
<b>PACK QUANTITY</b>	1 piece
<b>SPECIALS</b>	Further colors, individually configured power strips on request
<b>TIP</b>	Compatible LED lamp see 6SL0040I.953 Compatible main power cable see 6SAME4J316B.2000 Compatible connection cable see 6ACP5J516B.2000 Compatible direct connector I, slot 8 see 099DC084040N08 Compatible direct connector I / B, Slot 8 / 10 see 099DC084045N10
<b>TIP 2</b>	Please note: Max. chaining of 6 modules, 8 m or 3500 watts for Module F Line



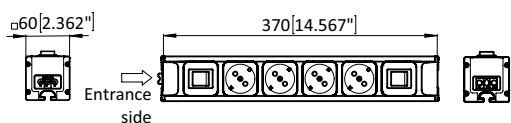
**POWER STRIP MODULE F LINE 370 6-WAY 4X, INPUT SWITCHABLE, OUTPUT DIMMABLE**

ESD	SLOT	SOCKET TYPE	WEIGHT [g]	PROFILE	PART #
	8	EU: CEE 7/3 (Type F)	699.0	I	<b>6SBEU24DI.370</b>
ESD	8	EU: CEE 7/3 (Type F)	699.0	I	<b>6SBEU24DIE.370</b>



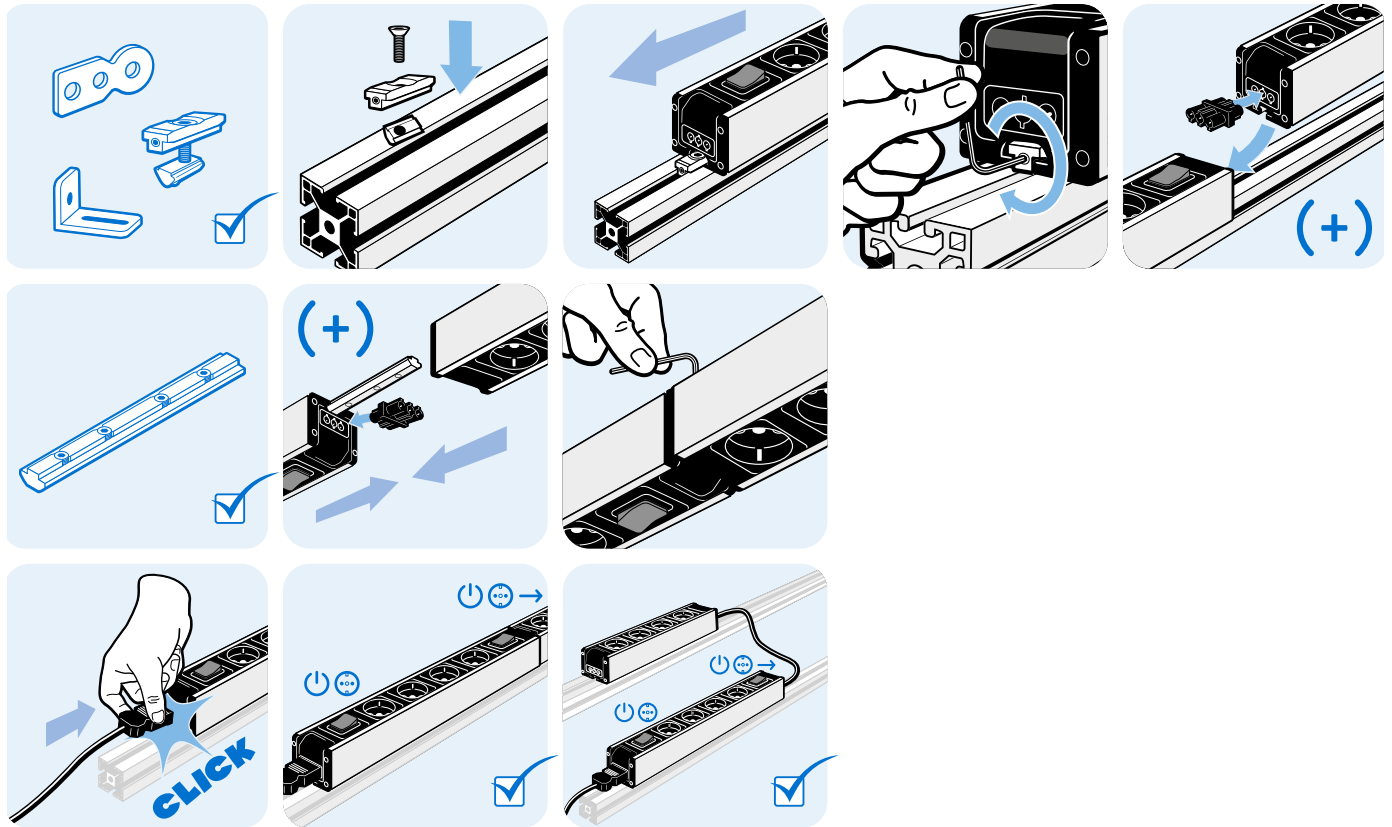
**POWER STRIP MODULE F LINE 370 6-WAY 4X, INPUT SWITCHABLE, OUTPUT SWITCHABLE**

<b>DESCRIPTION</b>	Switchable power strip with sockets for power supply at workstations; Switchable output of power strip; On the backside with slot 8 for mounting on aluminum profiles
<b>MATERIAL</b>	Housing: Aluminum End caps: Plastic PA, carbon fibre reinforced Socket inserts: Plastic PA Switches: Plastic ABS / PA
<b>SURFACE</b>	Housing standard version: Anodized Housing ESD electrostatical discharging version: Powder coated
<b>COLOR</b>	Housing standard version: - Housing ESD electrostatical discharging version: Black End caps: Black Socket inserts: Black Switch standard version: Blue Switch ESD electrostatical discharging version: Orange
<b>LENGTH</b>	370 mm
<b>IP RATING</b>	IP20
<b>MAX. CONNECTION POWER</b>	3500 W
<b>OPERATING CURRENT</b>	Max. 16 A
<b>OPERATING TEMPERATURE</b>	0 - 40° C
<b>OPERATING VOLTAGE / FREQUENCY</b>	230 V, AC / 50 Hz
<b>PROTECTION CLASS</b>	II [2]
<b>PACK QUANTITY</b>	1 piece
<b>SPECIALS</b>	Further colors, individually configured power strips on request
<b>TIP</b>	Compatible LED lamp see 6SL00401.953 Compatible main power cable see 6SAME4J316B.2000 Compatible connection cable see 6ACP5J516B.2000 Compatible direct connector I, slot 8 see 099DC084040N08 Compatible direct connector I / B, Slot 8 / 10 see 099DC084045N10
<b>TIP 2</b>	Please note: Max. chaining of 6 modules, 8 m or 3500 watts for Module F Line



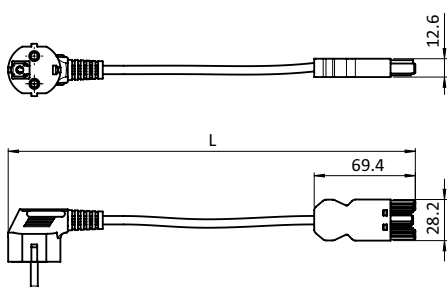
**POWER STRIP MODULE F LINE 370 6-WAY 4X, INPUT SWITCHABLE, OUTPUT SWITCHABLE**

ESD	SLOT	SOCKET TYPE	WEIGHT [g]	PROFILE	PART #
	8	EU: CEE 7/3 (Type F)	698.0	I	<b>6SBEU24I.370</b>
ESD	8	EU: CEE 7/3 (Type F)	698.0	I	<b>6SBEU24IE.370</b>



**MAIN POWER CABLE GST18I3 FOR MODULE F LINE**

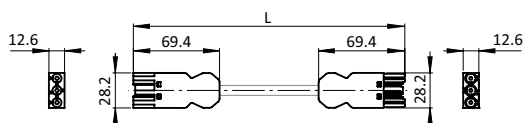
<b>DESCRIPTION</b>	3 wire cable for power supply of LED lamps and power strips Module F Line
<b>MATERIAL</b>	Cable insulation: Plastic PVC Plugs: Plastic PA
<b>COLOR</b>	Black
<b>CABLE CROSS SECTION</b>	1.5 mm <sup>2</sup>
<b>CABLE TYPE</b>	H05VV-F
<b>IP RATING</b>	IP20
<b>PERMANENT TEMPERATURE RESISTANCE</b>	70° C
<b>RATED CURRENT</b>	16 A
<b>RATED VOLTAGE</b>	250 V
<b>PACK QUANTITY</b>	1 piece
<b>TIP</b>	Compatible power strip see 6SBEU24I.370 Compatible LED lamp see 6SL1040DI.953
<b>TIP 2</b>	Please note: Max. chaining of 6 modules, 8 m or 3500 watts for Module F Line



MAIN POWER CABLE GST18I3 FOR MODULE F LINE	L [mm]	WEIGHT [g]	PART #
Black	2000.0	262.8	<a href="#">6SAME4J316B.2000</a>
Black	4000.0	445.0	<a href="#">6SAME4J316B.4000</a>

**CONNECTION CABLE GST18I3 FOR MODULE F LINE**

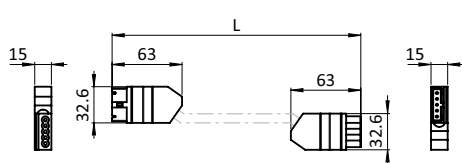
<b>DESCRIPTION</b>	3 wire cable to connect LED lamps and power strips Module F Line
<b>MATERIAL</b>	Cable insulation: Plastic PVC Plugs: Plastic PA
<b>COLOR</b>	Black
<b>CABLE CROSS SECTION</b>	1.5 mm <sup>2</sup>
<b>CABLE TYPE</b>	H05VV-F
<b>IP RATING</b>	IP20
<b>PERMANENT TEMPERATURE RESISTANCE</b>	70° C
<b>RATED CURRENT</b>	16 A
<b>RATED VOLTAGE</b>	250 V
<b>PACK QUANTITY</b>	1 piece
<b>TIP</b>	Compatible power strip see 6SBEU14UI.370 Compatible LED lamp see 6SL1040DI.953
<b>TIP 2</b>	Please note: Max. chaining of 6 modules, 8 m or 3500 watts for Module F Line



CONNECTION CABLE GST18I3 FOR MODULE F LINE	L [mm]	WEIGHT [g]	PART #
Black	2000.0	221.9	<a href="#">6SACP3J316B.2000</a>
Black	4000.0	381.5	<a href="#">6SACP3J316B.4000</a>

**CONNECTION CABLE GST1515 FOR MODULE F LINE**

<b>DESCRIPTION</b>	5 wire cable to connect LED lamps with remote dimmer and power strips Module F Line
<b>MATERIAL</b>	Cable insulation: Plastic PVC Plugs: Plastic PA
<b>COLOR</b>	Black
<b>CABLE CROSS SECTION</b>	1.5 mm <sup>2</sup>
<b>CABLE TYPE</b>	H05VV-F
<b>IP RATING</b>	IP20
<b>PERMANENT TEMPERATURE RESISTANCE</b>	70° C
<b>RATED CURRENT</b>	16 A
<b>RATED VOLTAGE</b>	250 V
<b>PACK QUANTITY</b>	1 piece
<b>TIP</b>	Compatible power strip see 6SBEU24DU.370 compatible LED lamp see 6SL00401953
<b>TIP 2</b>	Please note: Max. chaining of 6 modules, 8 m or 3500 watts for Module F Line

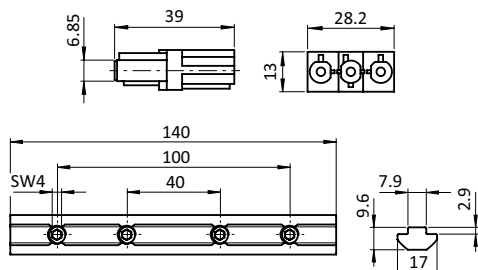


CONNECTION CABLE GST1515 FOR MODULE F LINE	L [mm]	WEIGHT [g]	PART #
Black	2000.0	357.9	<a href="#">6SACP5J516B.2000</a>
Black	4000.0	711.0	<a href="#">6SACP5J516B.4000</a>



**CONNECTION COUPLING GST18I3 FÜR MODULE F LINE (SET)**

<b>DESCRIPTION</b>	3 pole coupling piece to directly connect LED lamps and power strips Module F Line
<b>MATERIAL</b>	Connection coupling: Plastic PA Connector T-slot nut: Steel
<b>SURFACE</b>	Connector T-slot nut: Zinc-plated
<b>COLOR</b>	Connection coupling: Black
<b>IP RATING</b>	IP20
<b>PERMANTENT TEMPERATURE RESISTANCE</b>	70° C
<b>RATED CURRENT</b>	20 A
<b>RATED VOLTAGE</b>	250 V
<b>SET</b>	1 connection coupling 1 connector T-slot nut 4 grub screws M8 x 10 mm
<b>PACK QUANTITY</b>	1 set
<b>TIP</b>	Compatible power strip see 6SBEU04I.264 Compatible LED lamp see 6SL1040DI.476
<b>TIP 2</b>	Please note: Usage of connection coupling only in combination with connector T-slot nut permitted Max. chaining of 6 modules, 8 m or 3500 watts for Module F Line



**CONNECTION COUPLING GST18I3 FÜR MODULE F LINE (SET)**

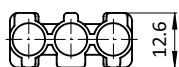
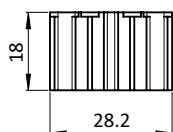
**WEIGHT [g]**

**PART #**

136.0 **6SAKP3J316BS01**

**COVER CAP GST1813 FOR MODULE F LINE**

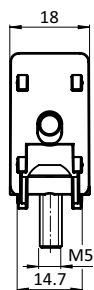
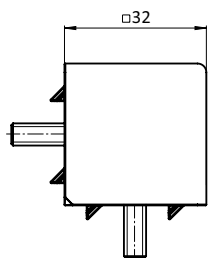
<b>DESCRIPTION</b>	Cover cap to cover three pole sockets of LED lamps and power strips Module F Line
<b>MATERIAL</b>	Plastic PA
<b>COLOR</b>	Black
<b>PACK QUANTITY</b>	100 pieces
<b>TIP</b>	Compatible power strip see 6SBEU24I.370 Compatible LED lamp see 6SL1040DI.953



COVER CAP GST1813 FOR MODULE F LINE	WEIGHT [g]	PART #
Black	2.0	<b>063SGF3S01</b>

**FRAME CORNER CONNECTOR 18 X 32 FOR CLAMP PROFILE (SET)**

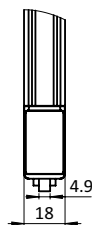
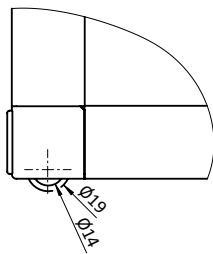
<b>MODEL</b>	Slot 8
<b>DESCRIPTION</b>	To connect two clamp profiles 18 x 32 at right angles
<b>MATERIAL</b>	Frame Corner Connector: Aluminum die-cast Screws: Steel
<b>SURFACE</b>	Frame Corner Connector: Laquered Screws: Zinc plated
<b>COLOR</b>	Frame Corner Connector: Alu color
<b>SET</b>	1 Frame Corner Connector, 2 screws ISO 7380 - M5 x 16
<b>PACK QUANTITY</b>	10 set
<b>TIP</b>	Compatible Sliding Door Guide Insert for Frame Corner Connector 18 x 32 (Set) see 093WWCI18321S01



WEIGHT [g]	PROFILE	PART #
25.9		<b>093WWC1832N08S01</b>

**SLIDING DOOR GUIDE INSERT FOR FRAME CORNER CONNECTOR 18 X 32 (SET)**

<b>MODEL</b>	Slot 5
<b>DESCRIPTION</b>	To guide lift or sliding doors in the slot of an aluminum profile, to insert in the frame corner connector 18 x 32 for clamp profile
<b>MATERIAL</b>	Guide insert: Plastic PA, glass fiber reinforced
<b>COLOR</b>	Guide insert: Gray ≈ RAL 7042
<b>SET</b>	1 guide insert, 1 cover cap, 1 stopper
<b>PACK QUANTITY</b>	10 set
<b>TIP</b>	Compatible frame corner connector 18 x 32 for clamp profile (Set) see 093WWC18321N08S01



WEIGHT [g]	PROFILE	PART #
10.2		<a href="#">093WWC18321S01</a>

**HOLDING BRACKET ST / XST D30**

<b>MODEL</b>	For roller tracks ST
<b>DESCRIPTION</b>	To mount roller tracks ST and guiding rails ST central to tubular frame profiles with Ø 30 mm outer diameter, preventing inserts from slipping out
<b>MATERIAL</b>	Steel
<b>SURFACE</b>	Zinc plated
<b>SET</b>	5 self-drilling screws DIN 7504 Form N - 3.9 x 16
<b>PACK QUANTITY</b>	10 pieces
<b>SPECIALS</b>	Other surfaces, other colors on request

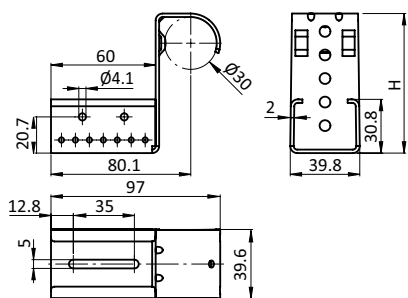


FIG.	HOLDING BRACKET ST / XST D30	H [mm]	WEIGHT [g]	PART #
①	Without end stop	30.8	161.0	<a href="#">062MHD30MS01</a>
②	With end stop	65	171.0	<a href="#">062MHSD30MS03</a>
		80	173.0	<a href="#">062MHSD30MS01</a>

**VARIABLE HOLDING BRACKET ST / XST D30**

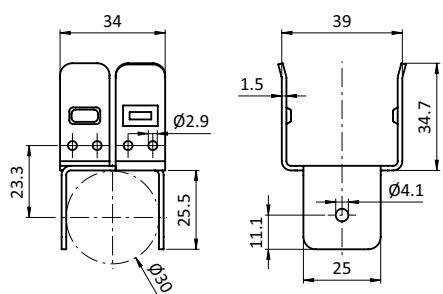
<b>MODEL</b>	For roller tracks ST
<b>DESCRIPTION</b>	Transition between roller track profiles with varying inclination, to mount roller track profiles ST / XST and guiding rails ST / XST central at different angles to tubular frame profiles with $\varnothing 30$ mm outer diameter, preventing inserts from slipping out
<b>MATERIAL</b>	Steel
<b>SURFACE</b>	Zinc plated
<b>FASTENING</b>	with 5 or 6 self-drilling screws DIN 7504 Form N - 3.9 x 16
<b>PACK QUANTITY</b>	10 pieces
<b>SPECIALS</b>	Other surfaces, other colors on request



FIG.	VARIABLE HOLDING BRACKET ST / XST D30	WEIGHT [g]	PART #
①	Typ M	145.0	<a href="#">062MYMD30MS01</a>
②	Typ F		<a href="#">062MYFD30MS01</a>

**MOUNTING BRACKET ST / XST D30**

<b>MODEL</b>	For ST / XST roller tracks
<b>DESCRIPTION</b>	To mount and support an roller track ST / XST or a guiding rail ST / XST central on a crossing tubular frame profile with Ø 30 mm outer diameter
<b>MATERIAL</b>	Steel
<b>SURFACE</b>	Zinc plated
<b>ASSEMBLY SET</b>	4 self-drilling screws DIN 7504 Form N - 3,9 x 16
<b>PACK QUANTITY</b>	10 pieces
<b>SPECIALS</b>	Other surfaces, other colors on request

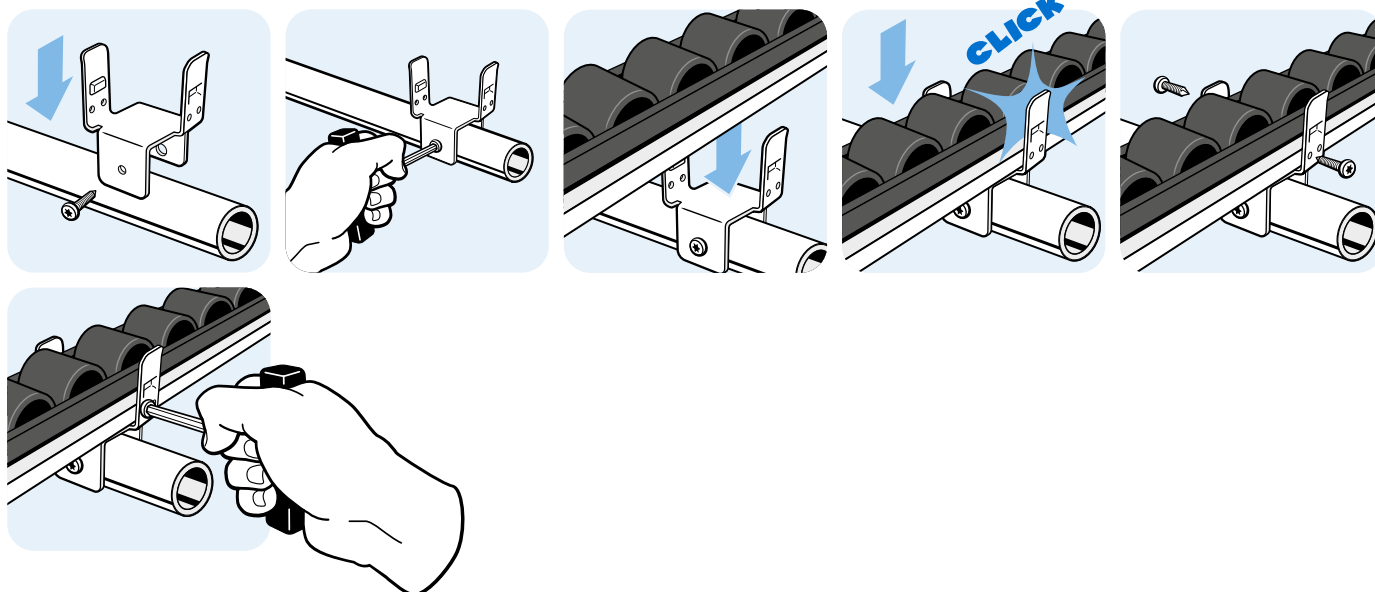


**WEIGHT [g]**

46.0

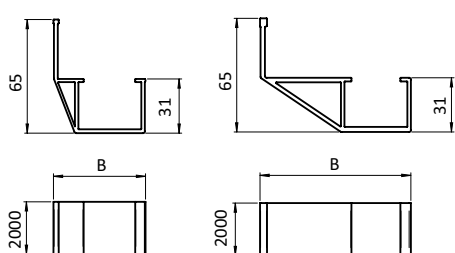
**PART #**

**062MMD30MS01**



**GUIDING RAIL XST LATERAL**

<b>MODEL</b>	For roller tracks XST
<b>DESCRIPTION</b>	For a safe guiding and positioning in flexible conveyor facilities, guiding rails provide for an adequate work height for the product supply
<b>MATERIAL</b>	Standard version: Plastic PVC ESD electrostatical discharging version: Plastic PVC, carbon fiber reinforced
<b>COLOR</b>	Black, gray
<b>PACK QUANTITY</b>	12 meters (6 pieces at 2 m)
<b>SPECIALS</b>	Other colors on request

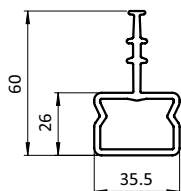
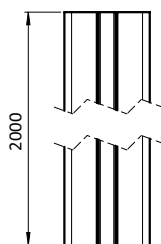


GUIDING RAIL XST LATERAL	ESD	B [mm]	COLOR	WEIGHT [g/m]	PART #
Lateral 32		52.0	Black	600.0	<a href="#">062MGRL3291.2000</a>
Lateral 32	ESD	52.0	Black	600.0	<a href="#">062MGRL3291ESD.2000</a>
Lateral 32		52.0	Gray ≈ RAL 7042	600.0	<a href="#">062MGRL3274.2000</a>
Lateral 65		86.0	Black	800.0	<a href="#">062MGRL6591.2000</a>
Lateral 65	ESD	86.0	Black	800.0	<a href="#">062MGRL6591ESD.2000</a>
Lateral 65		86.0	Gray ≈ RAL 7042	800.0	<a href="#">062MGRL6574.2000</a>



**GUIDING RAIL XST CENTRAL**

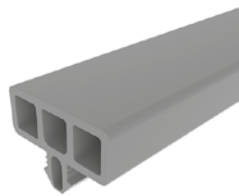
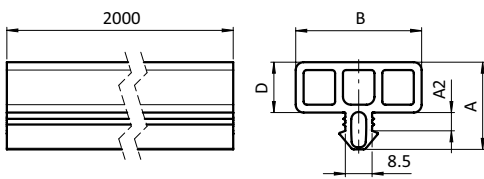
<b>MODEL</b>	For roller tracks XST
<b>DESCRIPTION</b>	For a safe guiding and positioning in flexible conveyor facilities, guiding rails provide for an adequate work height for the product supply
<b>MATERIAL</b>	Standard version: Plastic PVC ESD electrostatical discharging version: Plastic PVC, carbon fiber reinforced
<b>COLOR</b>	Black, gray
<b>PACK QUANTITY</b>	12 meters (6 pieces at 2 m)
<b>SPECIALS</b>	Other colors on request
<b>TIP</b>	Compatible brackets for XST roller tracks see 062MHD28M, 062MHD30M und 062XHD40M



GUIDING RAIL XST CENTRAL	ESD	COLOR	WEIGHT [g/m]	PART #
Central		Black	485.0	<a href="#">062MGRC91.2000</a>
Central	ESD	Black	430.0	<a href="#">062MGRC91ESD.2000</a>
Central		Gray ≈ RAL 7042	485.0	<a href="#">062MGRC74.2000</a>

**SIDE PROTECTION PROFILE 40, SLOT 8**

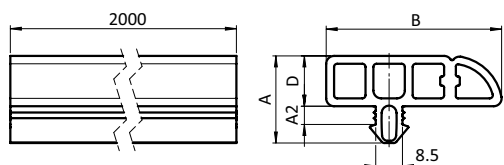
<b>MODEL</b>	Plastic TPE
<b>DESCRIPTION</b>	To prevent damages and injuries, impact protection by hollow chamber profile on aluminum profiles
<b>MATERIAL</b>	Plastic TPE, ≈ 70 Shore A
<b>COLOR</b>	Gray ≈ RAL 7042
<b>PACK QUANTITY</b>	100 Meter (50 St. á 2m)
<b>TIP</b>	Compatible cover cap for side and corner protection profile 40 see 091385 Compatible corner protection profile 40, slot 8 see 092325
<b>TIP 2</b>	Please note: You are ordering in meters!



A [mm]	B [mm]	D [mm]	SLOT	A2 (PROFILE) [mm]	WEIGHT [g/m]	PROFILE	PART #
28.0	40.0	16.0	8	5.7 (4.5)	590.5	I	<a href="#">092324</a>

**CORNER PROTECTION PROFILE 40, SLOT 8**

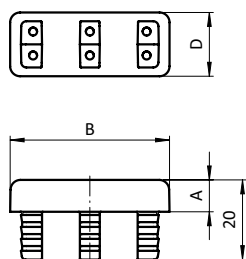
<b>MODEL</b>	Plastic TPE
<b>DESCRIPTION</b>	to prevent damages and injuries - also on the outer edge, impact protection by hollow chamber profile on aluminum profiles
<b>MATERIAL</b>	Plastic TPE, ≈ 70 Shore A
<b>COLOR</b>	Gray ≈ RAL 7042
<b>PACK QUANTITY</b>	100 Meter (50 St. á 2m)
<b>TIP</b>	Compatible cover cap for side and corner protection profile 40 see 091385 and 091386 Compatible side protection profile 40, slot 8 see 092324
<b>TIP 2</b>	Please note: You are ordering in meters!



A [mm]	B [mm]	D [mm]	SLOT	A2 (PROFILE) [mm]	WEIGHT [g/m]	PROFILE	PART #
28.0	56.0	16.0	8	5.7 (4.5)	453.0	I	<b>092325</b>

**COVER CAP FOR SIDE AND CORNER PROTECTION PROFILE 40**

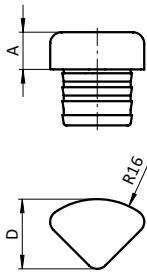
<b>MODEL</b>	Plastic TPE
<b>DESCRIPTION</b>	To cover the end of the side protection profile 40, slot 8
<b>MATERIAL</b>	Plastic TPE, ≈ 70 Shore A
<b>COLOR</b>	Gray ≈ RAL 7042
<b>PACK QUANTITY</b>	100 pieces
<b>TIP</b>	Compatible side protection profile 40, slot 8 see 092324
<b>TIP 2</b>	Other colors on request



A [mm]	B [mm]	D [mm]	WEIGHT [g]	PART #
8.0	40	16	6.5	<b>091385</b>

**COVER CAP FOR CORNER PROTECTION PROFILE 40**

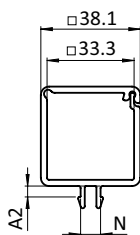
<b>MODEL</b>	Plastic TPE
<b>DESCRIPTION</b>	To cover the end of the corner protection profile 40, slot 8
<b>MATERIAL</b>	Plastic TPE, ≈ 70 Shore A
<b>COLOR</b>	Gray ≈ RAL 7042
<b>PACK QUANTITY</b>	100 pieces
<b>TIP</b>	Compatible corner protection profile 40, slot 8 see 092325
<b>TIP 2</b>	Other colors on request



A [mm]	D [mm]	WEIGHT [g]	PART #
8.0	15.0	2.3	<a href="#">091386</a>

**CONDUIT PROFILE PVC**

<b>MODEL</b>	Profile 40 and up
<b>DESCRIPTION</b>	To lay cables and hoses along the profile slot, reclosable
<b>MATERIAL</b>	Plastic PVC
<b>COLOR</b>	Gray
<b>PACK QUANTITY</b>	20 meters (10 pieces at 2 m)
<b>SPECIALS</b>	Other colors on request
<b>TIP</b>	Please note: You are ordering in meters!



N	COLOR	A2 (PROFILE) [mm]	WEIGHT [g]	PROFILE	PART #
8	Gray ≈ RAL 7042	4.2 (4.5)	806.0	I	<a href="#">093715N0874</a>
10	Gray ≈ RAL 7004	6.1 (6.0)	806.0	B	<a href="#">093715N1071</a>

## CONNECTORS FOR ALUMINUM TUBULAR FRAME PROFILES D28 & D30

Flexible, secure, uncomplicated:  
FATH Connectors for Tubular Frame Profiles D28 and D30



- 90° connection
- Connection from 40x40 to D28/D30
- Corner connection
- Parallel connection
- Ball connector inside and outside
- X connector
- 45° connection
- Crosspieces

### HIGHLIGHTS

Due to their special geometry (dovetail shape), the aluminum round tube systems D28 and D30 are particularly efficient. With **FATH** connectors, you can create twist-resistant and stable connections for these round tube systems in a few simple steps. This results in a positive connection that provides long-term strong support. You can cut the tubular frame profiles to length yourself. Particular precision is not necessary, since the **FATH** connectors compensate to some degree for length tolerances, angular errors and uneven cuts. Thanks to the wide variety of connectors and functions, you can implement the right structure for almost all requirements. The planning of individual structures for workstations, material trolleys, shelves, material feeds, etc. is easy due to the small number of required parts, and the assembly can be done quickly.

In the industrial production environment, requirements or the workplace can change at any time. **FATH** connectors for aluminium tubular frame profiles D28 & D30 can be quickly removed and reused, just like the profiles themselves. This offers maximum flexibility for your designs in industrial production – an economical solution that also scores points in terms of sustainability. **FATH** connectors are delivered ready for use as a completely pre-assembled set and can be installed directly.

WIDE VARIETY



### Multifunctional plate fastening for tubular frame profiles

Multifunctional plate fastening from **FATH** enables surface elements to be fastened to a tubular frame profile with an outside diameter of 30 mm in a variety of ways: bottom front, tubular frame profile flush to a surface element, any position on a surface element bottom or top front. The fixing clamp D30 (set) consists of two components, a basic element and height compensation. You can use the basic element individually or simply screw it together with the height compensation if necessary. The tubular frame profile is then completely enclosed. Individual designs for almost any requirement can be built quickly and easily – from splash guards to cladding.



### Table brackets

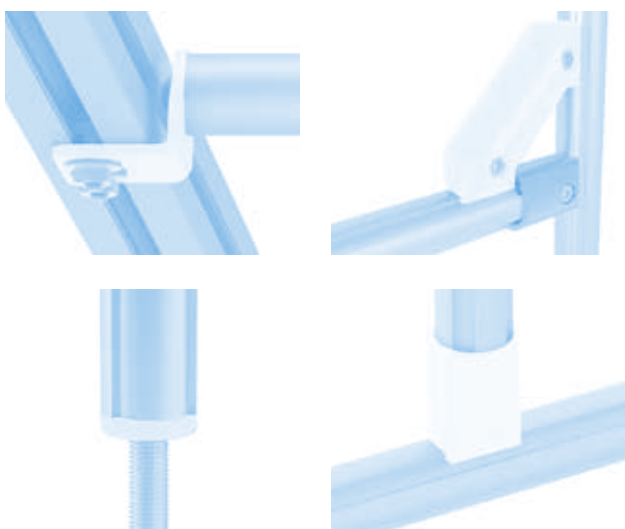
A large selection of mounting options for table plates are available:

- Table plate attachments
- Table plate attachment flap
- Parallel clamp
- Table attachment
- Plate attachment

### Roller conveyor

Attachment brackets are available in various versions as well as for the two different versions of steel roller conveyor and aluminum rail:

- Attachment without end stop
- Attachment with end stop
- Mounting bracket
- Attachment with high end stop
- Variable brackets



### Flexible & multifunctional:

The connectors for tubular frame profiles D28 and D30 are available in many versions. Here is a glimpse into the available connectors:



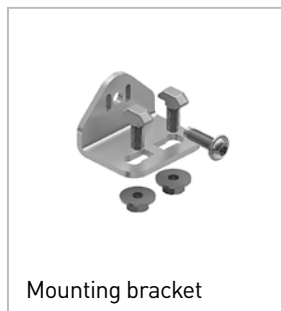
Ball connector



Threaded sleeve



Angle connector



Mounting bracket



Adapter plate



Cover caps



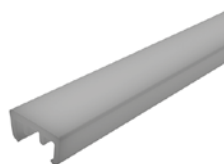
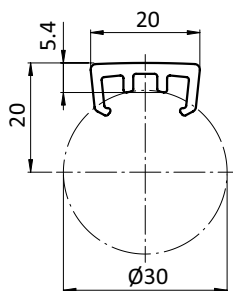
Would you like to learn more about **FATH** Connectors for Tubular Frame Profiles D28 und D30?

[tubular.fath24.com](http://tubular.fath24.com)



**SLIDE RAIL D30**

<b>MODEL</b>	Plastic PA
<b>DESCRIPTION</b>	To build simple slipways by clipping on a tubular frame profile with Ø 30 mm outer diameter; also applicable as support strip for the mouting of panels with vario block AL D30
<b>MATERIAL</b>	Plastic PVC-U
<b>COLOR</b>	Gray
<b>PACK QUANTITY</b>	20 meters (10 pieces at 2 m)
<b>TIP</b>	Please note: You are ordering in meters!



SLIDE RAIL D30	COLOR	WEIGHT [g]	PROFILE	PART #
ESD electrostatical discharging	Gray ≈ RAL 7042	150.0	I	<a href="#">092341</a>

**COVER CAPS FOR TUBULAR FRAME PROFILE**

<b>MODEL</b>	For tubular frame profiles
<b>DESCRIPTION</b>	To cover the end of a tubular frame profile with Ø 28 mm or Ø 30 mm outer diameter
<b>MATERIAL</b>	Plastic PA, glass fibre reinforced
<b>COLOR</b>	Black, gray
<b>PACK QUANTITY</b>	100 pieces
<b>SPECIALS</b>	Other sizes, other colors on request



FIG.	COLOR	ESD	WEIGHT [g]	PROFILE	PART #
①	black		3.0	B	099RV28CC01
②	black	ESD electrostatical discharging	2.5	B	099RV28CC02
③	Gray ≈ RAL 7042		4.6	I	099RV30CC01
③	Black		4.6	I	099RV30CC02
④	Grau ≈ RAL 7042		2.0	I	099RV30CC05

**COVER CAP FOR TUBULAR FRAME CONNECTORS D30**

<b>MODEL</b>	For tubular frame profiles
<b>DESCRIPTION</b>	To cover the screw hole of connectors for tubular frame profiles with Ø 30 mm outer diameter
<b>MATERIAL</b>	Plastic PA, glass fibre reinforced
<b>COLOR</b>	Gray ≈ RAL 7042
<b>PACK QUANTITY</b>	100 pieces

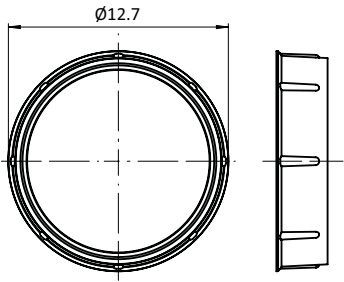
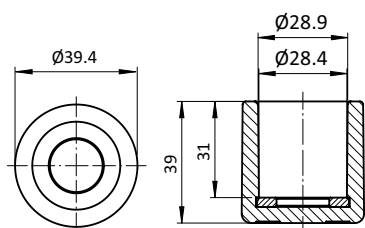


FIG.	WEIGHT [g]	PROFILE	PART #
①	0.22	I	<a href="#">099RV30CC06</a>
②	0.17	I	<a href="#">099RV30CC07</a>
③	0.21	I	<a href="#">099RV30CC08</a>
④	0.21	I	<a href="#">099RV30CC09</a>

**PROTECTION CAP D30**

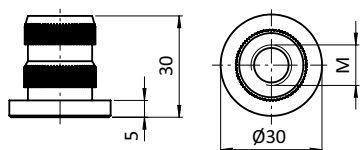
<b>MODEL</b>	For tubular frame profiles
<b>DESCRIPTION</b>	To prevent damages, scratches or injuries by the end of tubular frame profiles with Ø 30 mm outer diameter; End-position damping in Karakuri/LCA applications; Prevents movement of tubular frame profiles on slippery surfaces and absorbs some vibration; Punch through safe due to added steel inlay, elastic and surrounding design
<b>MATERIAL</b>	Protection cap: Plastic TPE Inlay: Steel
<b>SURFACE</b>	Inlay: Zinc plated
<b>COLOR</b>	Gray ≈ RAL 7042
<b>PACK QUANTITY</b>	10 pieces
<b>SPECIALS</b>	Other colors, other sizes on request



WEIGHT [g]	PROFILE	PART #
37.1	I	<b>099RV30CC03</b>

**THREADED SLEEVE AL D30**

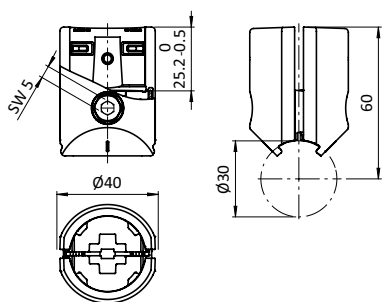
<b>MODEL</b>	For tubular frame profiles
<b>DESCRIPTION</b>	To fix leveling feet or casters to the front of tubular frame profiles with Ø 30 mm outer diameter
<b>MATERIAL</b>	Aluminum
<b>PACK QUANTITY</b>	10 pieces



	ESD	M	WEIGHT [g]	PROFILE	PART #
	ESD electrostatical discharging	M6	29.0	I	<a href="#">098VR300006</a>
	ESD electrostatical discharging	M8	28.0	I	<a href="#">098VR300008</a>
	ESD electrostatical discharging	M10	26.0	I	<a href="#">098VR300010</a>
	ESD electrostatical discharging	M12	24.0	I	<a href="#">098VR300012</a>

**OUTER T-CONNECTOR D30 (SET)**

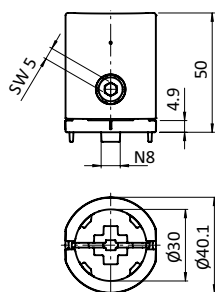
<b>MODEL</b>	For tubular frame profiles
<b>DESCRIPTION</b>	To connect two tubular frame profiles with Ø 30 mm outer diameter at right angles
<b>MATERIAL</b>	Connector: Aluminum die-cast Assembly set: Steel
<b>SURFACE</b>	Assembly set: Zinc plated
<b>SET</b>	2 components for T-connector D30, 1 screw DIN EN ISO 4762 (DIN 912) - M6 x 28, 1 self-locking nut ISO 10511 - M6
<b>PACK QUANTITY</b>	10 set
<b>TIP</b>	Compatible cover cap for tubular frame connectors D30 see 099RV30CC06



	ESD	WEIGHT [g]	PART #
	ESD electrostatical discharging	56.0	<a href="#">099RV3090LS01</a>

**OUTER T-CONNECTOR D30 - SLOT 8 (SET)**

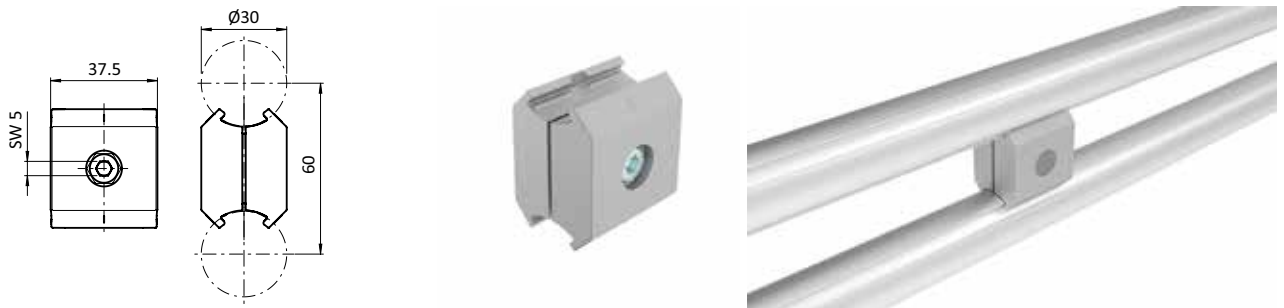
<b>MODEL</b>	For tubular frame profiles
<b>DESCRIPTION</b>	To connect a tubular frame profile with Ø 30 mm outer diameter with a slot 8 aluminum profile
<b>MATERIAL</b>	Connector: Aluminum die-cast Adapter plate: Aluminum die-cast Assembly set: Steel
<b>SURFACE</b>	Assembly set: Zinc plated
<b>SET</b>	2 components for T-connector D30 1 adapter plate 1 screw DIN EN ISO 4762 (DIN 912) - M6 x 28 1 self locking nut ISO10511 - M6
<b>FASTENING</b>	On profile I - slot 8 - using screw ISO 7380 - M6 x 14
<b>PACK QUANTITY</b>	10 set
<b>TIP</b>	Compatible cover cap for tubular frame connectors D30 see 099RV30CC06



	ESD	WEIGHT [g]	PROFILE	PART #
	ESD electrostatical discharging	109.0	I	<a href="#">099RV3090LS02</a>

**PARALLEL CONNECTOR D30 (SET)**

<b>MODEL</b>	For tubular frame profiles
<b>DESCRIPTION</b>	To parallelly connect two tubular frame profiles with $\varnothing$ 30 mm outer diameter; with pre-centering; completely pre-assembled set
<b>MATERIAL</b>	Connector: Aluminum die-cast Assembly set: Steel
<b>SURFACE</b>	Assembly set: Zinc plated
<b>SET</b>	2 components for parallel connector D30, 1 screw DIN EN ISO 4762 (DIN 912) - M6 x 20, 1 self-locking nut ISO 10511 - M6
<b>PACK QUANTITY</b>	10 set
<b>TIP</b>	Compatible cover caps for tubular frame connectors D30 see 099RV30CC07

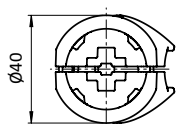
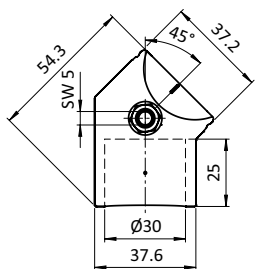


	ESD	WEIGHT [g]	PART #
	ESD electrostatical discharging	76.0	<b>099RV30PS02</b>



**ANGLE CONNECTOR D30, 45° (SET)**

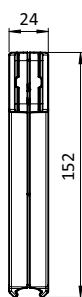
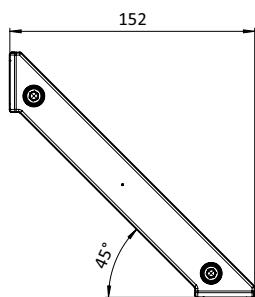
<b>MODEL</b>	For tubular frame profiles
<b>DESCRIPTION</b>	To connect two tubular frame profiles with $\varnothing$ 30 mm outer diameter at 45°; with pre-centering; completely pre-assembled set
<b>MATERIAL</b>	Connector: Aluminum die-cast Assembly set: Steel
<b>SURFACE</b>	Assembly set: Zinc plated
<b>SET</b>	2 components for angle connector D30, 45°, 1 screw DIN EN ISO 4762 (DIN 912) - M6 x 28, 1 self-locking nut ISO 10511 - M6
<b>PACK QUANTITY</b>	10 set
<b>TIP</b>	Compatible cover cap for tubular frame connectors D30 see 099RV30CC06



	<b>ESD</b>	<b>WEIGHT [g]</b>	<b>PART #</b>
	ESD electrostatical discharging	102.0	<b>099RV3045S01</b>

**ANGLE CONNECTOR 2D30 (SET)**

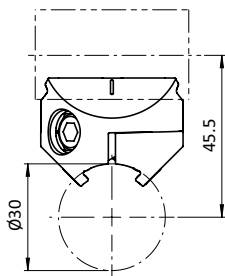
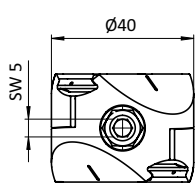
<b>MODEL</b>	For tubular frame profiles
<b>DESCRIPTION</b>	To connect two tubular frame profiles with Ø 30 mm outer diameter at right angle; Completely pre-assembled set
<b>MATERIAL</b>	Connector: Aluminum die-cast Assembly set: Steel
<b>SURFACE</b>	Assembly set: Zinc plated
<b>SET</b>	2 components for angle connector 2D30, 2 screws DIN EN ISO 4762 (DIN 912) - M6 x 14, 2 self-locking nuts ISO 10511 - M6
<b>PACK QUANTITY</b>	10 set
<b>TIP</b>	Compatible cover cap for tubular frame connectors D30 see 099RV30CC07



ESD	WEIGHT [g]	PROFILE	PART #
ESD electrostatical discharging	201.8	I	<a href="#">099RV3090QS01</a>

**CROSS CONNECTOR D30 (SET)**

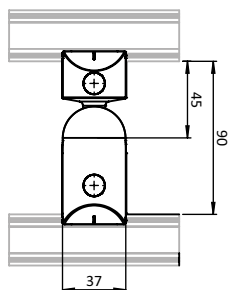
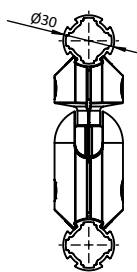
<b>MODEL</b>	For tubular frame profiles
<b>DESCRIPTION</b>	To cross connect two tubular frame profiles with Ø 30 mm outer diameter; Completely pre-assembled set
<b>MATERIAL</b>	Connector: Aluminum die-cast Assembly set: Steel
<b>SURFACE</b>	Assembly set: Zinc plated
<b>SET</b>	2 components for cross connector D30, 1 screw DIN EN ISO 4762 (DIN 912) - M6 x 30, 1 self-locking nut ISO 10511 - M6
<b>PACK QUANTITY</b>	10 set
<b>TIP</b>	Compatible cover cap for tubular frame connectors D30 see 099RV30CC06



	ESD	WEIGHT [g]	PART #
	ESD electrostatical discharging	65.3	<b>099RV30XS01</b>

**CROSS BALL CONNECTOR D30 (SET)**

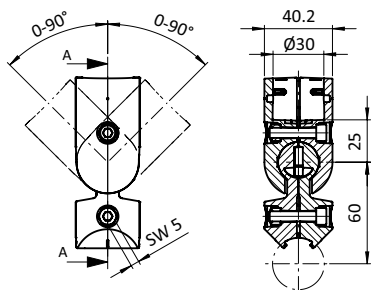
<b>MODEL</b>	For tubular frame profiles
<b>DESCRIPTION</b>	To cross connect two tubular frame profiles with Ø 30 mm outer diameter at variable angles, with pre-centering; completely pre-assembled set
<b>MATERIAL</b>	Connector: Aluminum die-cast Assembly set: Steel
<b>SURFACE</b>	Assembly set: Zinc plated
<b>SET</b>	4 cross ball connector D30, 2 screws DIN EN ISO 4762 (DIN 912) - M6 x 28, 2 self-locking nuts ISO 10511 - M6
<b>PACK QUANTITY</b>	10 set
<b>TIP</b>	Compatible cover cap for tubular frame connectors D30 see 099RV30CC06



	ESD	WEIGHT [g]	PART #
	ESD electrostatical discharging	150.0	<b>099RV30KS04</b>

**OUTER BALL CONNECTOR D30 (SET)**

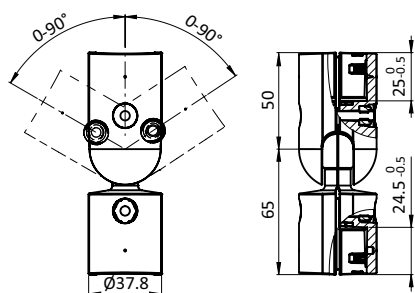
<b>MODEL</b>	For tubular frame profiles
<b>DESCRIPTION</b>	To connect two tubular frame profiles with Ø 30 mm outer diameter at variable angles, with pre-centering; completely pre-assembled set
<b>MATERIAL</b>	Connector: Aluminum die-cast Assembly set: Steel
<b>SURFACE</b>	Assembly set: Zinc plated
<b>SET</b>	4 components for outer ball connector D30, 2 screws DIN EN ISO 4762 (DIN 912) - M6 x 28, 2 self-locking nuts ISO 10511 - M6
<b>PACK QUANTITY</b>	10 set
<b>TIP</b>	Compatible cover cap for tubular frame connectors D30 see 099RV30CC06



ESD	WEIGHT [g]	PART #
ESD electrostatical discharging	205.0	<b>099RV30KS01</b>

**OUTER BALL BUTT CONNECTOR D30 (SET)**

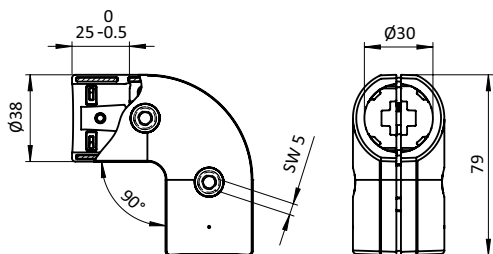
<b>MODEL</b>	For tubular frame profiles
<b>DESCRIPTION</b>	To connect two tubular frame profiles with Ø 30 mm outer diameter at variable angles, with pre-centering; completely pre-assembled set
<b>MATERIAL</b>	Connector: Aluminum die-cast Assembly set: Steel
<b>SURFACE</b>	Assembly set: Zinc plated
<b>SET</b>	4 components for outer ball butt connector D30, 2 screws DIN EN ISO 4762 (DIN 912) - M6 x 30, 2 self-locking nuts ISO 10511 - M6
<b>PACK QUANTITY</b>	10 set
<b>TIP</b>	Compatible cover cap for tubular frame connectors D30 see 099RV30CC06



WEIGHT [g]	PART #
219.0	099RV30KS03

**CORNER CONNECTOR 2D30 (SET)**

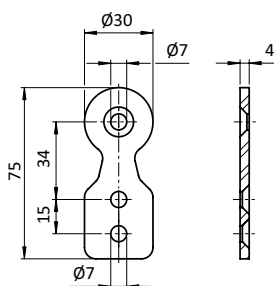
<b>MODEL</b>	For tubular frame profiles
<b>DESCRIPTION</b>	To connect two tubular frame profiles with Ø 30 mm outer diameter at right angles; with pre-centering; completely pre-assembled set
<b>MATERIAL</b>	Connector: Aluminum die-cast Assembly set: Steel
<b>SURFACE</b>	Assembly set: Zinc plated
<b>SET</b>	2 components for corner connector 2D30, 2 screw DIN EN ISO 4762 (DIN 912) - M6 x 25, 2 self-locking nuts ISO 10511 - M6
<b>PACK QUANTITY</b>	10 set
<b>TIP</b>	Compatible cover cap for tubular frame profile connector D30 see 099RV30CC06



	<b>ESD</b>	<b>WEIGHT [g]</b>	<b>PART #</b>
	ESD electrostatical discharging	218.0	<b>099RV30ES01</b>

**T-CONNECTOR PLATE D30 (SET)**

<b>MODEL</b>	For tubular frame profiles
<b>DESCRIPTION</b>	To connect a tubular frame profile with $\varnothing$ 30 mm outer diameter with an aluminum profile at right angles; screw connection to the core hole M6 of the tubular frame profile $\varnothing$ 30 mm or to the threaded sleeve AL D30 M6 for tubular frame profiles
<b>MATERIAL</b>	Steel
<b>SURFACE</b>	Zinc plated
<b>SET 1</b>	1 T-connector plate, 2 T-slot nuts - slot 6 - M6, 2 screws DIN 7991 - M6 x 12, 1 screw DIN 7991 - M6 x 20
<b>SET 2</b>	1 T-connector plate, 1 double T-slot nut - slot 8 - 2x M6, 2 screws DIN 7991 - M6 x 14, 1 screw DIN 7991 - M6 x 20
<b>PACK QUANTITY</b>	10 set

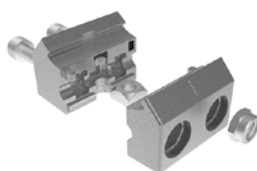
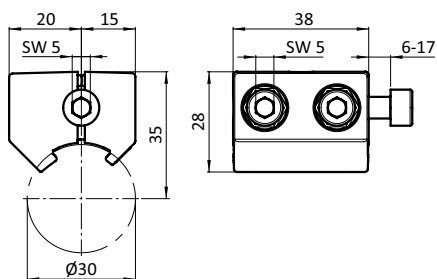


SET	SLOT	WEIGHT [g]	PROFILE	PART #
1	6	69.0	I	<a href="#">093VAD30VS01</a>
2	8	71.0	I	<a href="#">093VAD30V</a>



**VARIO BLOCK AL D30 (SET)**

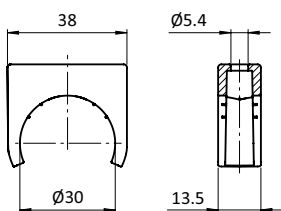
<b>MODEL</b>	For tubular frame profiles
<b>DESCRIPTION</b>	To attach panels firmly to tubular frame profiles with Ø 30 mm outer diameter; ESD electrostatical discharging
<b>MATERIAL</b>	Vario block AL: Aluminum die-cast Assembly set: Steel
<b>SURFACE</b>	Assembly set: Zinc plated
<b>SET</b>	1 vario block AL - 2-part, 2 screws DIN EN ISO 4762 (DIN 912) - M6 x 20, 1 square nut DIN 557 - M6 2 self-locking nuts ISO 10511 - M6
<b>PACK QUANTITY</b>	10 set
<b>SPECIALS</b>	Other surfaces, other colors on request
<b>TIP</b>	Compatible cover cap for tubular frame connectors D30 see 099RV30CC07



WEIGHT [g]	PROFILE	PART #
79.2	I	094AD30

**PANEL CLIP D30**

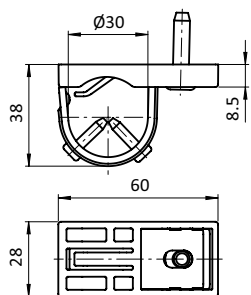
<b>MODEL</b>	For tubular frame profiles
<b>DESCRIPTION</b>	To temporarily attach panels to tubes or tubular frame profiles with Ø 30 mm outer diameter; For screwing the surface element a hexagon nut M5 can be inserted in the panel clip D30
<b>MATERIAL</b>	Plastic PA, glass ball reinforced
<b>COLOR</b>	Gray ≈ RAL 7042
<b>PACK QUANTITY</b>	10 pieces
<b>TIP</b>	compatible hexagon nuts see 4DIN934M5M



WEIGHT [g]	PART #
8.0	099RV30180S

**TOP CLAMP D30 (SET)**

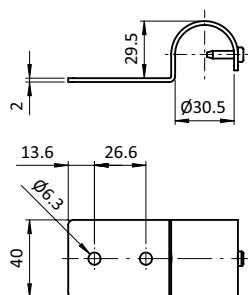
<b>MODEL</b>	For tubular frame profiles
<b>DESCRIPTION</b>	To mount wooden table tops or chipboards on a frame of tubular frame profiles with Ø 30 mm outer diameter
<b>MATERIAL</b>	Clamp: Steel Spacer: Plastic PA, glass fiber reinforced Screws: Steel
<b>SURFACE</b>	Clamp: Zinc plated Screws: Zinc plated
<b>COLOR</b>	Spacer: Gray ≈ RAL 7042
<b>SET</b>	1 clamp 1 spacer 1 wood screw 6 x 25 2 self-drilling screws DIN 7504 form N - 3.9 x 16
<b>PACK QUANTITY</b>	10 set



WEIGHT [g]	PROFILE	PART #
91.0	I	<b>099RV30H</b>

**TOP SUSPENSION D30 (SET)**

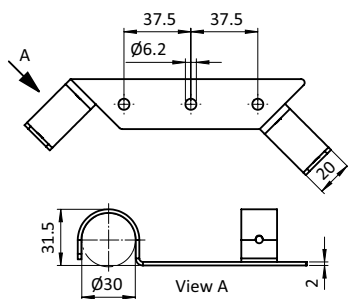
<b>MODEL</b>	For tubular frame profiles
<b>DESCRIPTION</b>	To mount table tops or shelf boards within a frame of tubular frame profiles with $\varnothing$ 30 mm outer diameter
<b>MATERIAL</b>	Steel
<b>SURFACE</b>	Zinc plated
<b>SET</b>	1 top suspension D30 1 self-drilling screws DIN 7504 Form N - 3.9 x 16
<b>PACK QUANTITY</b>	10 set



WEIGHT [g]	PROFILE	PART #
80.0	I	<b>099RV30TW</b>

**TOP CORNER SUSPENSION D30 (SET)**

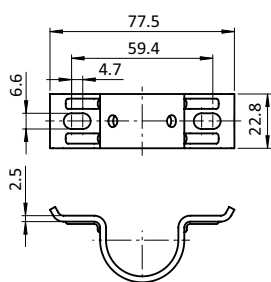
<b>MODEL</b>	For tubular frame profiles
<b>DESCRIPTION</b>	For putting in plates, shelf boards or work piece carriers horizontally on tubular frame profiles with $\varnothing$ 30 mm outer diameter; With holes to screw on tubular frame profile and plate
<b>MATERIAL</b>	Top corner suspension: Steel Screws: Steel
<b>SURFACE</b>	Top corner suspension: Zinc plated; Screws: Zinc plated
<b>SET</b>	1 top corner suspension 2 self-drilling screws DIN 7504 form N - 3.9 x 16
<b>PACK QUANTITY</b>	10 set
<b>TIP</b>	Please note for cutting table tops to size: Tubular frame connectors D30 require a 5 mm gap all the way around



WEIGHT [g]	PROFILE	PART #
94.0	I	<a href="#">099RV3090QS02</a>

**MOUNTING CLAMP D30 (SET)**

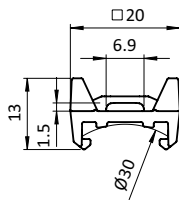
<b>MODEL</b>	For tubular frame profiles
<b>DESCRIPTION</b>	To support an roller track ST / XST, a guiding rail ST / XST central or a aluminum profile slot 8 on a crossing tubular frame profile with Ø 30 mm outer diameter
<b>MATERIAL</b>	Steel
<b>SURFACE</b>	Zinc plated
<b>SET</b>	1 Mounting clamp, 2 T-slot nuts - slot 8 - M6, 2 screws DIN EN ISO 4762 (DIN 912) - M6 x 16
<b>PACK QUANTITY</b>	20 set



WEIGHT [g]	PROFILE	PART #
66.3	I	099RV30HS01
17.2	I	093PD30NS01

**CROSS CABLE BINDER BLOCK D30**

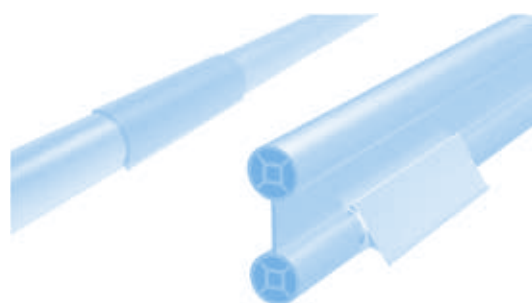
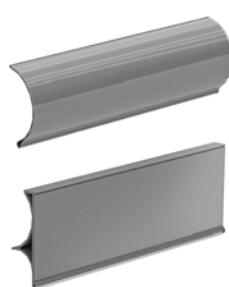
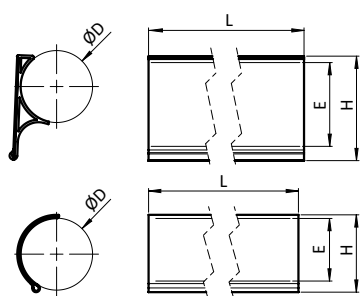
<b>MODEL</b>	For tubular frame profiles
<b>DESCRIPTION</b>	To fix cables along and across aluminum profiles; can be clipped on the tubular frame profile
<b>MATERIAL</b>	Plastic PP
<b>COLOR</b>	Black
<b>PACK QUANTITY</b>	100 pieces



WEIGHT [g]	PROFILE	PART #
1.3	I	<b>093292</b>

**LABEL CLIP D28 / D30**

<b>MODEL</b>	For tubular frame profiles
<b>DESCRIPTION</b>	For labelling on tubular frame profiles with Ø 28 or Ø 30 mm outer diameter; for labels with 38 mm height
<b>MATERIAL</b>	Plastic hard PVC
<b>COLOR</b>	Straight labeling surface: gray ≈ RAL 7035 / transparent Curved labeling surface: transparent
<b>FASTENING</b>	Self-adhesive strip on the backside
<b>PACK QUANTITY</b>	20 pieces (at 102 mm / at 120 mm) or 20 meters (10 pieces at 2 m)
<b>TIP</b>	*Please note: You are ordering in meters!

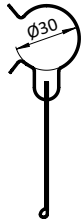
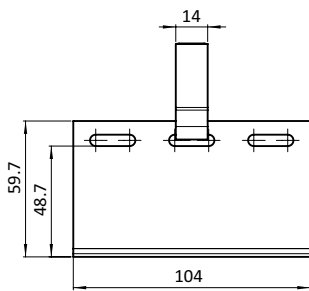


LABEL CLIP D28 / D30	H [mm]	L [mm]	COLOR	ØD [mm]	E [mm]	WEIGHT [g]	PROFILE	PART #
Straight labeling surface	41.0	102.0	Gray ≈ RAL 7035 / transparent	30.0	38.0	13.0	I	<a href="#">093LC38D30.102</a>
Curved labeling surface	40.0	102.0	Transparent	30.0	38.0	6.0	I	<a href="#">093LCT38D30.102</a>
Curved labeling surface	40.0	*2000.0	Transparent	30.0	38.0	91.0	I	<a href="#">093LCT38D30.2000</a>



**LABEL HOLDER D30 (SET)**

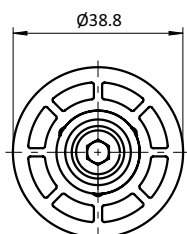
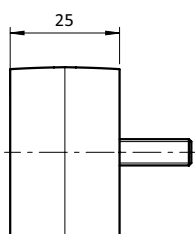
<b>MODEL</b>	For tubular frame profiles
<b>DESCRIPTION</b>	For labelling on tubular frame profiles with Ø 30 mm outer diameter; For labels with 42 mm height and 100 mm width
<b>MATERIAL</b>	Label holder: Plastic PET Clip: Steel
<b>SURFACE</b>	Clip: Zinc plated
<b>COLOR</b>	Label holder: Transparent
<b>SET</b>	1 label holder 1 clip
<b>PACK QUANTITY</b>	10 set



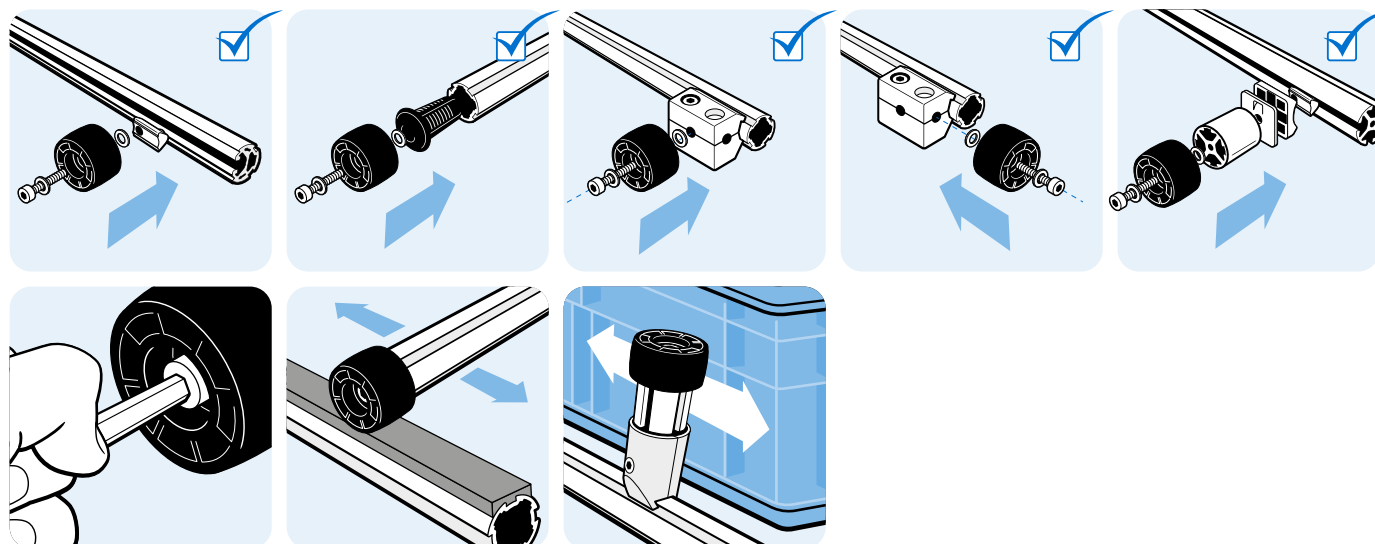
WEIGHT [g]	PROFILE	PART #
19.0	I	<a href="#">093LCT60D30.102</a>

**ROLLER Ø 39.5 (SET)**

<b>MODEL</b>	Plastic PA
<b>DESCRIPTION</b>	To guide moving parts on a slide rail attached to the aluminum profile or as lateral guide for moved goods ; With ball bearing
<b>MATERIAL</b>	Plastic PA, glass ball reinforced
<b>COLOR</b>	Black
<b>SET</b>	1 Roller 1 screw DIN EN ISO 4762 (DIN 912) M6 x 35, zinc plated steel 2 washers DIN EN ISO 7089 (DIN 125) - 6.4
<b>PACK QUANTITY</b>	10 set

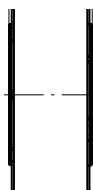
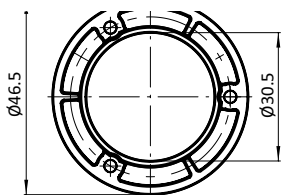


WEIGHT [g]	PROFILE	PART #
40.0	I	093817



**ROLLER Ø 46.5**

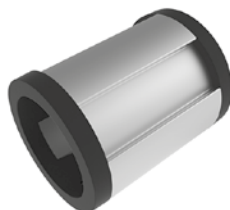
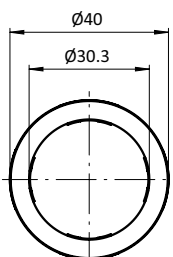
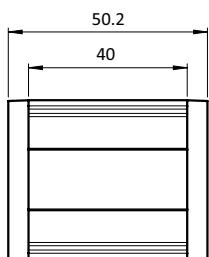
<b>MODEL</b>	For tubular frame profiles
<b>DESCRIPTION</b>	For lateral guiding or supporting at the transition from roller tracks
<b>MATERIAL</b>	Plastic PA, carbon fiber reinforced
<b>COLOR</b>	Black
<b>PACK QUANTITY</b>	10 pieces



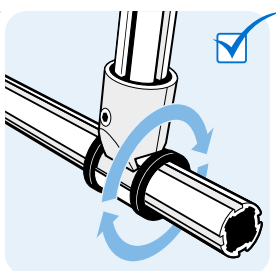
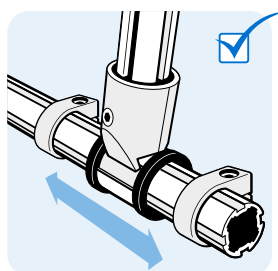
ROLLER Ø 46.5	WEIGHT [g]	PROFILE	PART #
ESD electrostatical discharging	13.0	I	<b>062AUR46D30ESD</b>

**SLIDE BEARING D40/D30**

<b>MODEL</b>	For tubular frame profiles
<b>DESCRIPTION</b>	For low-friction movement on tubular frame profiles, allows radial and linear movement
<b>MATERIAL</b>	Plastic POM
<b>PACK QUANTITY</b>	1 piece



SLIDE BEARING D40/D30	WEIGHT [g]	PROFILE	PART #
ESD electrostatical discharging	36.0	I	<a href="#">093S30S02</a>







**Visual Management**

Floor Markings	
Product Portrait   Self-adhesive floor marking tapes	104
Floor Marking Tape 100	106
Temporary Floor Marking Tape 50 tesa® 60760	107
Product Portrait   Floor Signs	108
No Placing or Storing Floor Sign	110
Visual Boards	
Product Portrait   Visual Boards	111
Wall-mounted Enamel Board	114
Mobile Enamel Board	115
Mobile Whiteboard	116
Mobile Enamel Cube	117
Product Portrait   Utensilo	118
Organizer UTENSILO, magnetic (Set)	120

**Material Flow**

Material Supply	
Product Portrait   FIFO Guiding Rails	121
Brush Brake for Guiding Rail FIFO (Set)	123
Adjustable Caster End Stop for Guiding Rail FIFO	124
Mounting Set Infeed Cap for Guiding Rail FIFO	125
Infeed cap for FIFO Monorail Rail 40 (Set)	126

## SELF-ADHESIVE FLOOR MARKING TAPES

### FATH Floor Marking Tapes for quick and durable marking



- Outstanding adhesive strength
- Forklift-resilient
- Suitable for virtually all industrial floors
- Removable without leaving residue
- Very dimensionally stable: adhesion without prior marking
- Available in all relevant colors

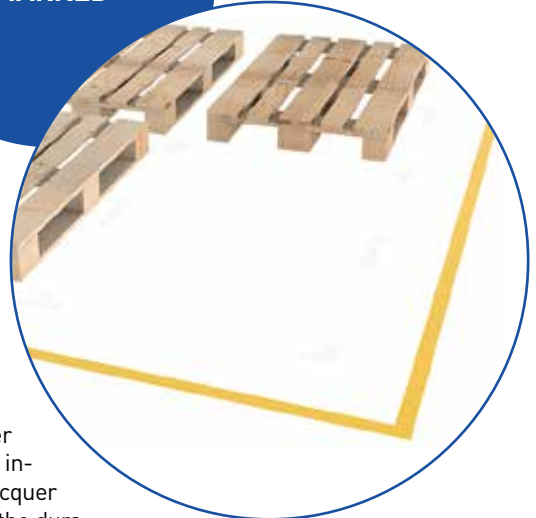
### HIGHLIGHTS

With **FATH** self-adhesive Floor Marking Tapes, you can mark surfaces easily and safely. One of the most important functions of floor marking is separating vehicle routes and walkways. Clearly marked walkways ensure that employees and visitors stay safe if industrial trucks or forklifts are moving around the production area or warehouse.

You will comply with the obligation to visually separate vehicle routes from walkways with **FATH** Floor Marking Tapes. ASR A1.3 specifies that vehicle route boundaries should be delimited by marking strips at least 5 cm wide. Stair steps can also be clearly marked with adhesive tape in signal colors to minimize the risk of falling.

Full flexibility with new production requirements: The self-adhesive floor marking tapes can be removed from the floor without leaving any residue when production changeovers, restructurings or plant expansions are pending. The floor remains intact after removing the adhesive tape because no chemicals or acidic substances are required to remove them. Leased buildings, warehouses and spaces can also be temporarily labeled without causing any consequential damage.

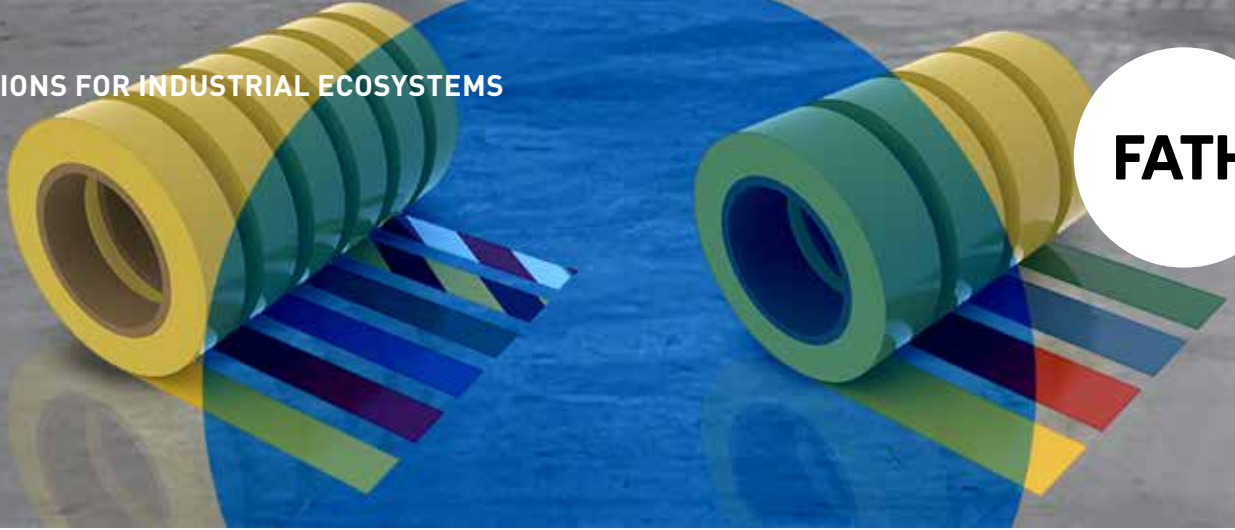
CLEARLY  
MARKED



### Floor marking tapes: forklift-resilient and instantly affixed

The dimensionally stable **FATH** Floor Marking Tapes can be cut to fit your needs and affixed to industrial floors without prior marking. Vehicles can drive over them immediately, and they are easy to clean. They are suitable for almost all industrial floors and surfaces such as stone, concrete or metal. Unlike paint or lacquer markings, there are no long drying times and no unpleasant odors. Thanks to the durable plastic surface suitable for industrial use, the floor marking tapes withstand heavy use by forklift trucks.





### Highly durable multi-colored floor marking tapes

Thanks to a new printing concept, the multi-colored **FATH** Floor Marking Tapes are extremely durable. The color print is applied on the inside and is covered by a transparent film. This means that the print image is fully enclosed between the film and the adhesive and is thus permanently protected against wear and scratches, even after long use and heavy stress on the surface.

### Color coding system for safe visualization

**FATH** Floor Marking Tapes are available in rolls in widths of 50, 75 and 100 mm and in all important marking colors – in single color and two-color versions. This enables companies to set up a secure color coding system for walkways, separate areas, storing spaces, parking spaces and entire areas in production plants and warehouses. When used correctly, the selected colors provide a largely intuitive recognition of the marked areas.

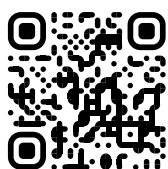
### Versions:

The self-adhesive **FATH** Floor Marking Tapes are available as rolls in the following versions:

- Length: 50 m
- Width: 50 mm / 75 mm / 100 mm

### Colors:

- white
- 1) yellow
- 2) red
- 3) blue
- 4) green
- 5) black/yellow
- 6) red/white

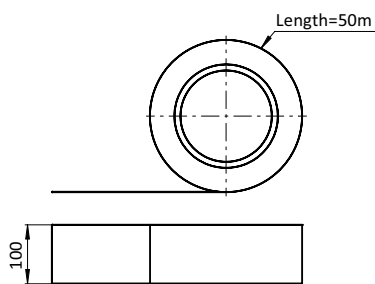


Would you like to learn more about **FATH** Floor Marking Tapes?

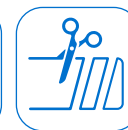
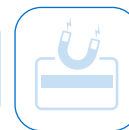
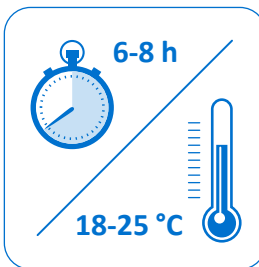
[floor-marking-tape.fath24.com](http://floor-marking-tape.fath24.com)

**FLOOR MARKING TAPE 100**

<b>MODEL</b>	Diverse colors
<b>DESCRIPTION</b>	For easy and reliable marking of path boundaries, stairs, parking / storage / working areas etc., self-adhesive; Forklift-resistant and stable floor marking with outstanding adhesive strength, suitable for almost all industrial floors, removable without leaving residue
<b>MATERIAL</b>	Plastic PVC
<b>COLOR</b>	Yellow
<b>FASTENING</b>	Self-adhesive surface on the backside
<b>PACK QUANTITY</b>	50 meters (spool)



COLOR	WEIGHT [g]	PART #
Yellow ~ RAL 1018	3890.0	<b>0203T10015</b>



**TEMPORARY FLOOR MARKING TAPE 50 TESA® 60760**

<b>MODEL</b>	Diverse colors
<b>DESCRIPTION</b>	For easy and reliable marking of path boundaries, stairs, parking / storage / working areas etc., self-adhesive; optimal for temporary marking as well as hazard identification on objects and industrial floors, removable without leaving residue
<b>MATERIAL</b>	Plastic PVC
<b>COLOR</b>	Yellow, red, blue, luminous green, white, black / yellow, red / white
<b>FASTENING</b>	Self-adhesive surface on the backside
<b>PACK QUANTITY</b>	198 meters (6 spools at 33 m)

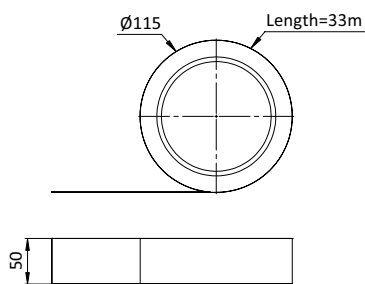


FIG.	COLOR	WEIGHT [g]	PART #
①	Yellow	341.0	<a href="#">0203TT05015</a>
②	Red	341.0	<a href="#">0203TT05031</a>
③	Blue	341.0	<a href="#">0203TT05055</a>
④	Luminous green	341.0	<a href="#">0203TT05065</a>
⑤	White	341.0	<a href="#">0203TT05093</a>
⑥	Red / white	341.0	<a href="#">0203TT0503193</a>
⑦	Black / yellow	341.0	<a href="#">0203TT0509115</a>



## FLOOR SIGNS

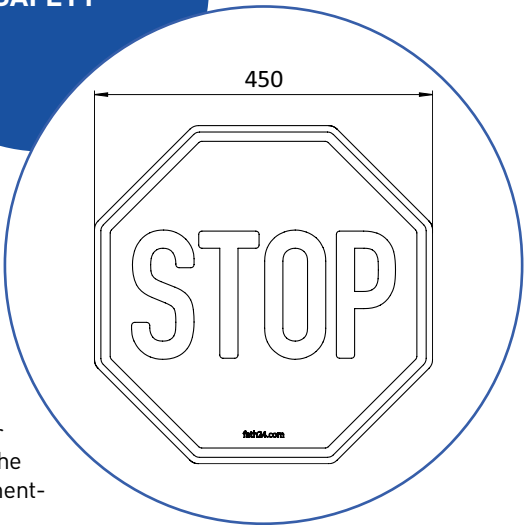
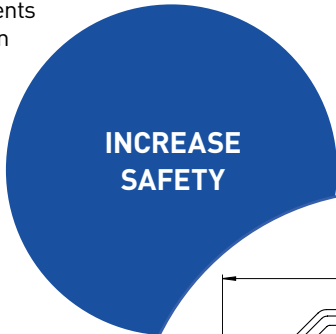
**Safe and lean:**  
Easily highlight danger zones with self-adhesive FATH Floor Signs

- Pictograms as per ASR standards
  - Outstanding adhesive strength
  - Forklift-resilient and extremely durable
  - Suitable for virtually all industrial floors
  - Adhesive applied over the entire rear side
  - Non-slip thanks to the textured surface
  - All common prohibition, mandatory, warning and information signs
  - Strong signaling effect
- HIGHLIGHTS**

With **FATH** Floor Signs, you can comply right away with the applicable regulations for the marking of hazardous zones. The floor signs can be walked on and driven on immediately after gluing.

The pictograms on the **FATH** Floor Signs are designed in compliance with ASR standards. The floor signs are 450 millimeters in size and ensure that the icons can be seen from a distance – when viewed from a forklift, for example. This means that they comply with the German Technical Workplace Regulations (ASR) and meet the requirements specified in the German Workplaces Ordinance (ArbStättV), which serve to ensure safety and health protection for employees.

Full flexibility for reorganizations: These self-adhesive floor signs can be detached from the floor without leaving residue if restructurings or plant expansions are pending. The floor remains intact after the signs are removed, since no chemicals or acid-based substances are required to remove them. Buildings, warehouses, and surfaces can be labeled permanently or temporarily without causing any damage.



### FATH's Floor Signs: self-adhesive and forklift-resilient

The self-adhesive, dimensionally stable **FATH** Floor Signs are easily affixed to the floor, can be driven over immediately and are easy to clean. They are suitable for virtually all industrial floors and surfaces. Unlike paint or lacquer markings, there are no long drying times and no unpleasant odors. Thanks to the adhesive applied across their entire back surface, these floor signs even permanently adhere to problematic surfaces.

Another advantage: **FATH** Floor Signs have a textured non-slip surface.



### New printing method protects against scratches

What makes **FATH** Floor Signs special: The pictogram's color print is applied to the inside instead of on the outer surface and is then covered with a transparent protective film. This means that the image is fully enclosed between the film and the adhesive. It is permanently protected against wear and scratches, even after long use and heavy stress on the surface. The durable plastic surface is suitable for industrial use and can withstand heavy loads, such as forklifts driving over it.

### FATH Floor Windows for customized warning signs

If you want to attach specific information or warnings on the floor, **FATH** Floor Windows are the ideal solution. You can use them to design your own customized warning signs that fit your needs. Simply place the printed sheets behind the transparent, scanner-compatible viewing window and affix the floor window. Different DIN formats and colors are available.



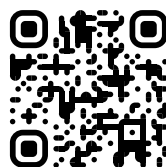
More on **FATH** Floor Windows:  
[shape-window.fath24.com](http://shape-window.fath24.com)



### Versions

All common signs in the following categories are available:

- Prohibition signs
- Mandatory signs
- Warning and information signs

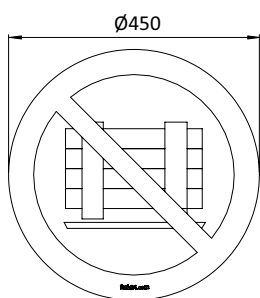


Would you like to learn more about **FATH** Floor Signs?

[floor-sign.fath24.com](http://floor-sign.fath24.com)

**NO PLACING OR STORING FLOOR SIGN**

<b>MODEL</b>	Prohibitive Sign
<b>DESCRIPTION</b>	For fast and reliable safety marking according to ASR A1.3 / DIN EN ISO 7010, self-adhesive; Easy recognition from long distance; Forklift-resistant and slip-proof floor sign with outstanding adhesive strength, suitable for almost all industrial floors, removable without leaving residue
<b>MATERIAL</b>	Plastic PVC
<b>COLOR</b>	Red / white / black
<b>FASTENING</b>	Self-adhesive surface on the backside
<b>PACK QUANTITY</b>	1 piece



**WEIGHT [g]**

**PART #**

174.0

**0203SP06**



## VISUAL BOARDS

**Key figures clearly and flexibly:  
All important information at a glance with FATH Visual Boards**



- Scratch-resistant enamel surface
- Permanent protection against marker residue
- Magnetic over the entire surface
- Different designs: enamel wall board, mobile enamel board, mobile enamel cube
- Space-saving and practical designs
- Enamel panels for customized designs sold separately

### HIGHLIGHTS

The surfaces of all **FATH** Visual Boards are made of enamel – top of the line! A glass-like mixture is applied to the metal surface at temperatures of around 1000 degrees Celsius and then hardened. The result is a surface with special properties. The whiteboard surface is extremely easy to clean by simply wiping it dry. While conventional whiteboards with lacquered surfaces still leave residues from writing after wiping them down, **FATH** Visual Boards can be cleaned without leaving any residue.

The enameled surfaces are scratch-resistant, extremely resilient and retain their smooth feel over the long term. They remain undamaged even after daily use and repeated writing and wiping. In addition to writing, the entire metal surface can be used with magnets, thus turning the whiteboard into a magnetic board.

The enameled Visual Board panels are also available separately upon customer request. You can build your own whiteboard or magnetic board with custom-fit dimensions. The whiteboard panels are easily framed in your own profile. In addition to wall mounting, specific needs, such as attachment to machines, can also be met.

### ENAMELED SURFACE & RESIDUE-FREE CLEANING



### Three designs for every application and requirement

Each **FATH** Visual Board design features a metallic whiteboard surface framed in an aluminum 40 x 40 mm profile. Attachments such as monitor supports, keyboard holders, scanner holders, trays or header profiles can be easily integrated. Enamel wall boards can be securely attached to walls and are also suitable for mounting on machine enclosures or shelving systems. Mobile enamel boards are available in a single-sided version as well as a double-sided version with an enamel surface on the front and back.

### Enamel wallboard: easy to attach to aluminum profiles

This design is suitable for mounting on walls as well as attaching on machine enclosures or protective fences. Mounting on aluminum profiles can be completed in a few easy steps using the whiteboard's 40x40 profile frame. Monitors or warning signal lamps can be attached to the profile exterior. The visible side of the profile is closed.

### Mobile enamel boards: information flexibly delivered

Mobile enamel boards can be placed anywhere in the room and easily moved around at any time using the framed stand on rollers. The integrated brakes ensure that the boards are held securely in position. This design is ideal when machines are too small to attach wallboards. The mobile enamel boards are also an ideal choice for office areas or supervisor's offices, as their height will fit through any standard door. The structure is the same as that of **FATH** enamel wallboards. Industrial rollers with brakes are available as an option in the ESD version.

A special added extra: The feet on the visual boards are rubberized on their exterior. The rubber buffer above the rollers protects against injury and damage to walls and doors.

### Mobile enamel cube: space-saving miracle on rollers

Thanks to its four enameled sides, the cube-shaped **FATH** Visual Board provides an incredible amount of space on a small footprint. About one square meter of floor space is required to provide as much information as on a whiteboard almost three meters wide. Since the mobile enamel cube fits through any standard door, it can be placed in any space, from meeting rooms to production and warehouse areas. The space-saving, square design is especially suitable for transportable provision of detailed information and production notices. The metallic surfaces on the mobile enamel cube are also framed in 40x40 aluminum profiles. The visible sides of the profile are enclosed to protect against contamination and deposits.

Industrial rollers with brakes are optionally available in an ESD version.





### Accessories for optimal use

With these accessories, you can make optimum use of the **FATH** Visual Board – lean and sustainably:

- Whiteboard markers, set of 4, black
- Whiteboard markers set of 4, colored (blue, red, yellow, green)
- Cleaning felts
- Cleaning agent

### Smart accessories

The **FATH** UTENSILO is the perfect addition to your **FATH** Visual Board. Board markers, cleaning agent and board erasers are neatly stored and are always handy where you need them. A marker is easily removed by twisting, while the cap remains in the UTENSILO and cannot get lost. Thanks to the magnets attached on the back, the UTENSILO sits securely on any magnetically adhesive, smooth surface. Left-handed users can adjust it to their needs by turning it 180°.



More on the **FATH** UTENSILO:  
[utensilo.fath24.com](https://utensilo.fath24.com)

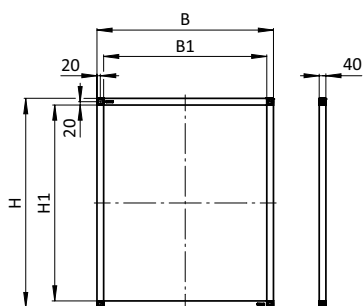


Would you like to learn more about **FATH** Visual Boards?

[visual-board.fath24.com](https://visual-board.fath24.com)

**WALL-MOUNTED ENAMEL BOARD**

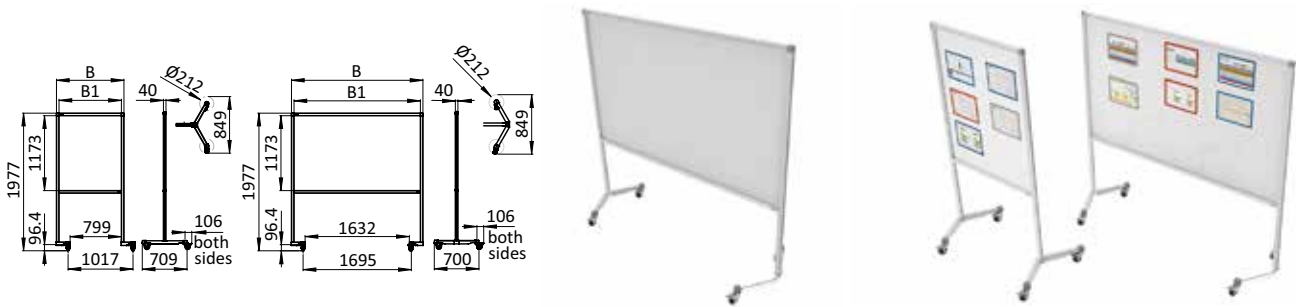
<b>MODEL</b>	For wall mounting
<b>DESCRIPTION</b>	Flexible applicable board with one-sided enamel coating for writing on, dry wipeable, magnetic; Resistant enamelled surface, durable against mechanical and chemical influences; Profile frame 40 x 40 mm, without slot on the front side, circumferential slot 8 on the side for mounting accessories like monitor or keyboard holders; Supplied with wall spacers for easier mounting
<b>MATERIAL</b>	Board: MDF, steel Profile frame: Aluminum Spacer: Plastic PA
<b>SURFACE</b>	Board: Enamelled Profile frame: Anodized
<b>COLOR</b>	Board: White Spacer: Black
<b>SET</b>	1 wall-mounted enamel board 4 spacers
<b>FASTENING</b>	From the back, using M8 screws
<b>PACK QUANTITY</b>	1 piece



B [mm]	H [mm]	B1 [mm]	H1 [mm]	WEIGHT [g]	PROFILE	PART #
1057.0	1253.0	977.0	1173.0	9.3	I	<a href="#">020611000</a>
2059.0	1253.0	1979.0	1173.0	14.8	I	<a href="#">020612000</a>

**MOBILE ENAMEL BOARD**

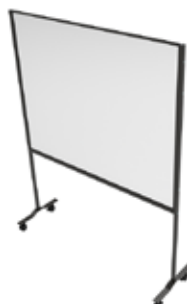
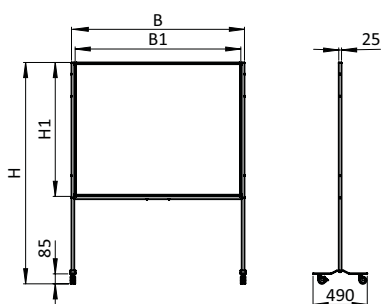
<b>MODEL</b>	One sided enamel coating
<b>DESCRIPTION</b>	Flexible applicable board with one-sided enamel coating for writing on, dry wipeable, magnetic on both sides, resistant enamelled surface, durable to mechanical and chemical influences; Equipped with four swivel casters for moving, two of them incl. system brakes for securing against unintended movement; Profile frame 40 x 40 mm, without slot on the front side, circumferential slot 8 on the side for mounting accessories like monitor or keyboard holders
<b>MATERIAL</b>	Board: MDF, steel Profile frame: Aluminum Wheel body: Plastic PP Tread: Plastic TPE
<b>SURFACE</b>	Board: Enamelled Profile: Anodized
<b>COLOR</b>	Board: White Wheel body: Gray ≈ RAL 7001 Tread: Gray ≈ RAL 7031
<b>PACK QUANTITY</b>	1 piece
<b>SPECIALS</b>	Swivel casters as ESD electrostatically discharging version on request



B [mm]	H [mm]	B1 [mm]	H1 [mm]	WEIGHT [g]	PROFILE	PART #
1057.0	1977.0	977.0	1173.0	21.0	I	<a href="#">020631000M</a>
2059.0	1977.0	1979.0	1173.0	26.5	I	<a href="#">020632000M</a>

**MOBILE WHITEBOARD**

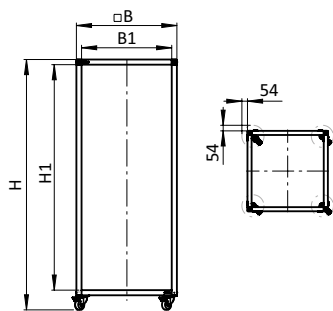
<b>MODEL</b>	Double sided laquered
<b>DESCRIPTION</b>	Flexible applicable board with double sided laquered steel for writing on, dry wipeable, magnetic on both sides; Equipped with four swivel casters for moving, two of them incl. brakes for securing against unintended movement
<b>MATERIAL</b>	Board: Steel Frame: Aluminum Swivel caster arm: Steel Wheels: Plastic PA
<b>SURFACE</b>	Board: Laquered Frame: Laquered Swivel caster arm: Laquered
<b>COLOR</b>	Board: White Frame: Black Swivel caster arm: Black Wheels: Black
<b>SET</b>	1 board 3 frame struts 8 screws M5 x 30 2 screws M8 x 40 2 swivel casters 2 swivel casters with brake
<b>PACK QUANTITY</b>	1 piece
<b>TIP</b>	Whiteboard is not pre-assembled



B [mm]	H [mm]	B1 [mm]	H1 [mm]	WEIGHT [g]	PART #
1588.0	2000.0	1500.0	1200.0	30.5	<b>02063L1500M</b>

**MOBILE ENAMEL CUBE**

<b>MODEL</b>	Rotatable
<b>DESCRIPTION</b>	Flexible applicable cube, four-sided enamel coating for writing on, dry wipeable, magnetic, resistant enamelled surface, durable to mechanical and chemical influences; space saving due to square base; Equipped with four swivel casters for moving, two of them incl. system brakes for securing against unintended movement; Profile frame 40 x 40 mm, without slot on the front side, entirely preassembled
<b>MATERIAL</b>	Boards: MDF, steel Profile frame: Aluminum Wheel body: Plastic PP Tread: Plastic TPE
<b>SURFACE</b>	Boards: Enamelled Profile frame: Anodized
<b>COLOR</b>	Boards: White Wheel body: Gray ≈ RAL 7001 Tread: Gray ≈ RAL 7031
<b>PACK QUANTITY</b>	1 piece
<b>SPECIALS</b>	Swivel casters as ESD electrostatically discharging version on request



B [mm]	H [mm]	B1 [mm]	H1 [mm]	WEIGHT [g]	PROFILE	PART #
780.0	1943.0	700.0	1750.0	35.0	I	<b>02062780</b>

## UTENSILO

**Order and ergonomics:**  
the FATH UTENSILO keeps markers, caps and erasers neatly tucked away and within easy reach



- For all magnetic whiteboards
- Fixed slots for four markers
- Marker caps stowed tightly
- For right-handed and left-handed users
- Dry erasing with highly absorbent erasing felt
- Self-adhesive erasing felts for quick and easy replacement

### HIGHLIGHTS

The **FATH UTENSILO** is the clever storage solution for all the tools you need to work effectively on a whiteboard. Board markers, caps, cleaning agent and erasers are neatly stored and are always handy where you need them. The rear-mounted magnets make it easy to attach the UTENSILO to any magnetic whiteboard. This practical aid will also sit securely on machines or other magnetic surfaces.

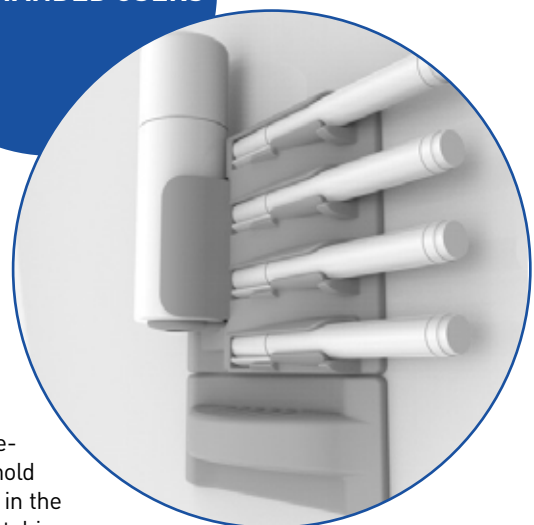
Both right-handed and left-handed users can intuitively manage the UTENSILO. Simply turn the top part 180°, reposition the holder for the pump bottle – and you're ready with the version that is optimally adapted to the needs of left-handed users.

The **FATH UTENSILO** comes with four board markers (in black, blue, red and green), an erasing felt and a pump bottle with

cleaning liquid. As needed, erasing felts can be reordered in a package of 20. You can equip the board markers with felt if you wish. This makes it easy to make small quick corrections effortlessly while writing by turning the marker over.

The **FATH UTENSILO** comes in neutral gray, similar to RAL 7042.

### FOR LEFT- AND RIGHT-HANDED USERS



#### **Clever holder:** Markers remain handy – caps safely stowed away

The UTENSILO has four marker slots. What's so special: The holders are designed so that a marker can be removed with one hand by a slight twisting movement. The rotation locks the cap in the holder and keeps it safely in place. You hold only the marker and close it again after use by simply inserting and turning it in the UTENSILO. No searching for the cap, no drying out of the marker, no accidental insertion! To remove the marker completely, simply turn it a little further and pull out the marker including the cap.

### Accessories – lean and sustainable

With these accessories, you can restock the FATH UTENSILO over and over again – lean and sustainably:

- Whiteboard markers, set of 4, black
- Whiteboard marker, set of 4, colored (blue, red, yellow, green)
- Cleaning felts
- Cleaning agent



### Sophisticated board eraser for dry and wet cleaning

The flat, ergonomically shaped board eraser fits comfortably in your hand. To clean the whiteboard, simply apply an erasing cloth with a high absorption capacity by pressing it onto the sponge element. Thanks to the adhesive layer on the back, it adheres without slipping and can be removed without residues after use. The fibers of the wafer-thin felts absorb the marker color with a light wiping. The sponge acts as a holder, is protected, remains clean and does not need to be cleaned separately. For heavy or stubborn soiling, the UTENSILO also has a cleaning fluid in a pump bottle. The quick-drying cleaning liquid prevents dripping while cleaning.

The board eraser fits seamlessly on the upper part of the UTENSILO but will also stick separately exactly where it is needed.

### The perfect pair: FATH UTENSILO and FATH Visual Board with enameled surface

Thanks to its closed surface, the enameled **FATH** Visual Board is extremely resilient and particularly easy to clean – simply by dry wiping, without any residue. In combination with the **FATH** UTENSILO, you have available a durable, practical and easy to manage visualization solution.



More on **FATH** Visual Boards:  
[visual-board.fath24.com](https://visual-board.fath24.com)

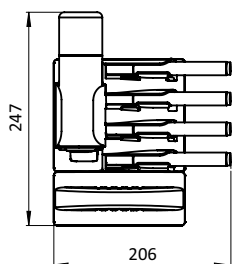


Would you like to learn more about the **FATH** UTENSILO?

[utenсило.fath24.com](https://utenсило.fath24.com)

**ORGANIZER UTENSILLO, MAGNETIC (SET)**

<b>MODEL</b>	For left- and right-handed use
<b>DESCRIPTION</b>	Fully equipped magnetic whiteboard organizer UTENSILLO with cleaning spray, eraser and board markers; Ergonomically shaped magnetic eraser with easily replaceable felt pad, Variable bottle holder base to optimize ergonomics and accessibility from left or right; Compact design for minimal space requirements
<b>MATERIAL</b>	UTENSILLO: Plastic ABS Magnets: Neodymium Bottle holder base: Plastic ABS Eraser: Plastic ABS / felt Spray bottle: Plastic HDPE Board marker: Plastic / felt
<b>COLOR</b>	UTENSILLO: Gray ≈ RAL 7042 Bottle holder base: Gray ≈ RAL 7042 Eraser: Gray ≈ RAL 7042 Felt pad: Black Spray bottle: White Board marker body: White Board marker cap: Red, green, blue, black
<b>SET</b>	1 UTENSILLO 1 bottle holder base 1 eraser with felt pad 1 cleaning spray #b1 board marker red 1 board marker blue 1 board marker green 1 board marker black
<b>PACK QUANTITY</b>	1 set
<b>TIP</b>	Consumables can be reordered via adhered QR code: Compatible refill felt pad for eraser, self-adhesive see 0206FP91 Compatible cleaning spray for board marker see 0206U200CS Compatible board marker with felt eraser (Set) see 0206BM91



WEIGHT [g]	PART #
540.0	0206U74



## FIFO GUIDING RAILS

Build a FIFO station based on need while saving space with FATH FIFO Guiding Rails

+

- Modular system – scalable at any time
- Extra wide, break-proof insertion caps
- Upward-facing profile slots for cost-effective enclosure
- Floating installation without screwed joints
- Space-saving thanks to one-sided rail guide

### HIGHLIGHTS

Thanks to the modular design, the length and width of the FIFO station can be flexibly adjusted. You can set up your FIFO station exactly according to your individual requirements and expand it at any time. The FIFO guiding rails are screwed together with connection plates directly on the insertion caps. This connection element ensures stability and determines the track width. The number of tracks can be selected based on need.

Individual guiding rails are joined together with a lengthwise connector to achieve the desired track length. FIFO guiding rails are available in the standard lengths 1200, 1800 and 2400 mm and, upon request, in the exact length you require.

Unique on the market: Rectangular connections enable cost-effective enclosure. The 8 mm profile slot incorporated in the FIFO guiding rails can be used to effortlessly install structures with all standard 40 x 40 mm profiles, such as enclosures to indicate tracks. A post for signage can be easily positioned from above at a 90° angle and securely anchored in the slot. Integration on machine protection enclosures is possible as well. Thanks to the practical rectangular connections, these fixtures can be implemented significantly faster and at a far lower cost than with conventional systems.

### EFFICIENT MATERIAL PROVISION

#### Innovative: extra wide insertion caps for easy feeding in of dollies

FATH has redesigned the insertion caps to ensure even greater efficiency when handling dollies. The extremely wide opening acts like a funnel and helps facilitate the loading of the FIFO station. Rollers can be effortlessly slid into the rails even when they are completely hidden from view by crates. The insertion caps are mounted at the start and end of each track. This allows operators to implement the FIFO principle (First In First Out) perfectly, ensuring an optimized in-house flow of goods. Another big plus: FATH insertion caps for the FIFO station are manufactured using aluminum die casting and are unbreakable, unlike conventional plastic caps.



**Quick and easy installation without bolting to the floor**

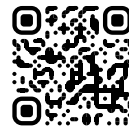
FATH FIFO Guiding Rails feature floating installation. The FIFO station doesn't have to be bolted to the floor to be securely seated, which protects factory floors. The rails are held by the dead weight of the dollies. A bolted connection to the floor is available as an option for special requirements; drill holes are integrated into the insertion caps.

**Space-saving, one-sided rail guide**

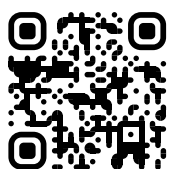
One guiding rail per track is sufficient to hold dollies firmly in position. You can freely choose which side of the dolly is to be guided. Just three guiding rails are required for three tracks, for example. This reduces costs, saves space and provides additional flexibility.

**Perfect interaction:  
FATH FIFO Guiding Rails and FATH Dollies**

Material provision becomes even more efficient in combination with FATH Dollies. The dollies are precisely designed for all KLT/Euro containers 400 x 600 mm and offer a high load-bearing capacity of up to 250 kg. As empties, they can be stacked to save space and stored in a minimal amount of space. Versions are available with and without lateral guide as well as with towing bar systems suitable for tugger trains. All FATH rollers for dollies are equipped with high-quality wheels manufactured by Blickle Germany.



More on FATH Dollies:  
[dolly.fath24.com](http://dolly.fath24.com)

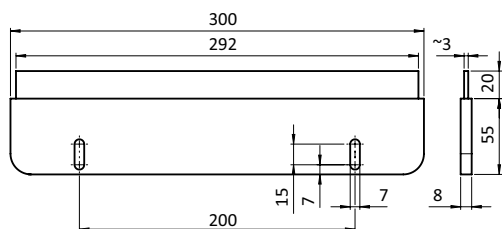


Would you like to learn more about FATH FIFO Guiding Rails?

[guiding-rail.fath24.com](http://guiding-rail.fath24.com)

**BRUSH BRAKE FOR GUIDING RAIL FIFO (SET)**

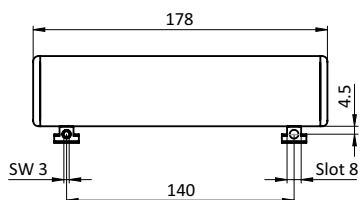
<b>MODEL</b>	Aluminum, Slot 8
<b>DESCRIPTION</b>	for braking and stopping dollies in guiding rails; variable fixable via slot of the guide rail FIFO
<b>MATERIAL</b>	Body : Aluminum Bristles: Plastics PA
<b>SURFACE</b>	Body : Anodized
<b>COLOR</b>	Bristles: Black
<b>DIMENSIONS</b>	Total Length: 300 mm Length of the Bristles: 20 mm
<b>PACK QUANTITY</b>	1 piece
<b>TIP</b>	Compatible guiding rail FIFO see 02082P.1200



WEIGHT [g]	PART #
149.38	02082BB

**ADJUSTABLE CASTER END STOP FOR GUIDING RAIL FIFO**

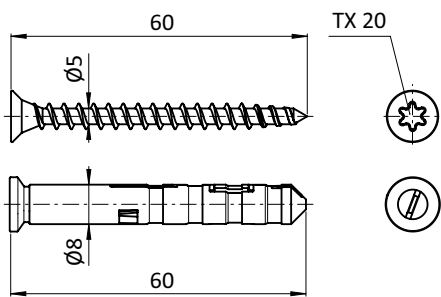
<b>MODEL</b>	Aluminum
<b>DESCRIPTION</b>	To stop dollies in guiding rails FIFO; Easy installation with enclosed connectors
<b>MATERIAL</b>	Profile: Aluminum Cover Cap: Plastic PA Connector: Steel
<b>SURFACE</b>	Profile: Anodized Connector: Zinc plated
<b>COLOR</b>	Cover caps: Gray ≈ RAL 7042
<b>SET</b>	1 profile piece 2 cover caps 2 connectors
<b>PACK QUANTITY</b>	1 set
<b>TIP</b>	Compatible guiding rail FIFO see 02082P.1200



L [mm]	WEIGHT [g]	PROFILE	PART #
178.0	380.0	I	<a href="#">02082ES</a>

**MOUNTING SET INFEED CAP FOR GUIDING RAIL FIFO**

<b>MODEL</b>	Steel
<b>DESCRIPTION</b>	To mount infeed caps for guiding rails FIFO to the floor
<b>MATERIAL</b>	Anchor: Plastic Screws: Steel
<b>SURFACE</b>	Screws: Galvanized
<b>COLOR</b>	Anchor: Yellow
<b>SET</b>	8 anchors 8 x 60 8 screws 5 x 60
<b>PACK QUANTITY</b>	1 set



**WEIGHT [g]**

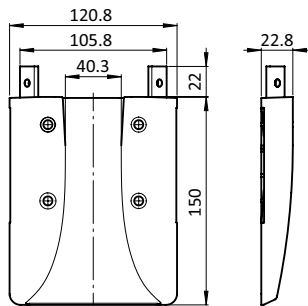
88.0

**PART #**

**02082FS**

**INFEED CAP FOR FIFO MONORAIL RAIL 40 (SET)**

<b>MODEL</b>	Aluminum die-cast
<b>DESCRIPTION</b>	For easier loading and unloading of FIFO stations with floor dollies; Robust design, mounting directly in the slot of FIFO monorail rail 40 with enclosed hexagon socket set screws
<b>MATERIAL</b>	Infeed caps: Aluminum die-cast Hexagon socket set screws: Steel
<b>SURFACE</b>	Infeed caps: Powder coated Hexagon socket set screws: Zinc plated
<b>COLOR</b>	Infeed caps: Black
<b>SET</b>	8 infeed caps 16 hexagon socket set screws ISO 4027 - M6 x 8
<b>FASTENING</b>	From the front, using M6 countersunk screws
<b>PACK QUANTITY</b>	1 set



**WEIGHT [g]**

**PART #**

2.041

**02082CCS02**



## Clear workflows. From now on quite simple.

ambos.io offers a customized tool for the creation, management and execution of work processes.



### Cloud-based WebApp at <https://app.ambos.io/>

- Compatible with popular browsers and devices
- Accessible from any place at any time
- Easy user creation



### Standardize work instruction management

- Create instructions easily via drag & drop
- Digital interface for step-by-step execution of e.g. assembly instructions
- Easy integration of media files such as videos and images



### Document functions easily integrated

- Standardized document format incl. table of contents
- Automatically generated change history
- Automatic creation of a bill of materials for individual steps as well as for the entire process for easy work preparation





## Data acquisition along the work processes

- Capture of traceability data for further optimization
- Capture of freely definable elements such as serial numbers, batch numbers, etc.
- Export of captured data as part of an assembly PDF possible



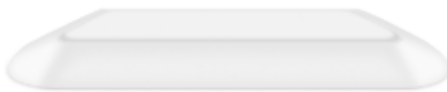
## Full potential for analyzing the processes

- Capture of self-selected attributes such as which workstation, which employee, etc.
- Recording of temporal progressions (both cumulative and for the day)
- Export of all raw data via standard API for own further processing

## HARDWARE FOR FURTHER SUPPORT



### Stock Monitoring Sensors Distance & Floor



The Floor Monitoring Sensor - Floor detects whether a space is free or occupied and sends the data via a gateway to the ambos.io cloud.

As soon as an occupied space becomes free again, a message is sent.



The Stock Monitoring Sensor - Distance detects height differences and sends the data via a gateway to the ambos.io Cloud.

As soon as a defined height is exceeded or not reached, a message is sent.



## PART NUMBER INDEX

<b>020</b>		062MGRL3291ESD.2000	64	<b>096</b>		099RV30KS04	84
0203SP06	110	062MGRL6574.2000	64	096314EF	18	099RV30PS02	80
0203T10015	106	062MGRL6591.2000	64	096314F	18	099RV30TW	92
0203TT05015	107	062MGRL6591ESD.2000	64	096315EF	18	099RV30XS01	83
0203TT05031	107	062MHD30MS01	61	096315F	18	099RV3045S01	81
0203TT0503193	107	062MHSD30MS01	61	096316EF	18	099RV3090LS01	78
0203TT05055	107	062MHSD30MS03	61	096316F	18	099RV3090LS02	79
0203TT05065	107	062MMD30MS01	63	096318EF	18	099RV3090QS01	82
0203TT0509115	107	062MYFD30MS01	62	096318F	18	099RV3090QS02	93
0203TT05093	107	062MYMD30MS01	62			099RV30180S	90
0206U74	120			<b>098</b>			
020611000	114	<b>063</b>		098FF080AF134110	17	<b>6S</b>	
020612000	114	063SGF3S01	58	098FF080EHF134110	17	6SACP3J316B.2000	55
02062780	117			098FF080EHF134110ESD	17	6SACP3J316B.4000	55
02063L1500M	116	<b>091</b>		098FF080GF134110	17	6SACP5J516B.2000	56
020631000M	115	091385	68	098FF080UF134110	17	6SACP5J516B.4000	56
020632000M	115	091386	69	098FF080UF134110ESD	17	6SAKP3J316BS01	57
02082BB	123			098FF100AF134110	17	6SAME4J316B.2000	54
02082CCS02	126	<b>092</b>		098FF100EHF134110	17	6SAME4J316B.4000	54
02082ES	124	092324	66	098FF100EHF134110ESD	17	6SBEU04I.264	45
02082FS	125	092325	67	098FF100GF134110	17	6SBEU04IE.264	45
		092341	73	098FF100UF134110	17	6SBEU14DI.317	47
<b>061</b>				098FF100UF134110ESD	17	6SBEU14DIE.317	47
061FAB40LN08	29	<b>093</b>		098G40L110VS01	12	6SBEU14UI.370	49
061FAB80LN08	31	093292	95	098G45L110VS01	12	6SBEU24DI.370	51
061FAB4540LN10	30	093323	34	098LF050AF46S01	15	6SBEU24DIE.370	51
061FAL40LN08	29	093715N0874	70	098LF062AF65S01	15	6SBEU24I.370	53
061FAL80LN08	31	093715N1071	70	098LF062AF110110	16	6SBEU24IE.370	53
061FAL4540LN10	30	093817	98	098VR300006	77	6SL1040DI.476	40
061FAM40LN08	29	093LC38D30.102	96	098VR300008	77	6SL1040DI.953	43
061FAM80LN08	31	093LCT38D30.102	96	098VR300010	77	6SL1040DIE.476	40
061FAM4540LN10	30	093LCT38D30.2000	96	098VR300012	77	6SL1040DIE.953	43
061FAN40LN08	29	093LCT60D30.102	97				
061FAN80LN08	31	093PD30NS01	94	<b>099</b>			
061FAN4540LN10	30	093S30S02	100	099B101710	23		
061FAS40LN08	29	093VAD30V	88	099DC084040N08	24		
061FAS80LN08	31	093VAD30VS01	88	099DC084045N10	25		
061FAS4540LN10	30	093VM4080LN08	19	099RV28CC02	74		
061FAZ40LN08	29	093VM120120LN08	20	099RV30CC01	74		
061FAZ80LN08	31	093W406N08S01	21	099RV30CC01	74		
061FAZ4540LN10	30	093W809N08S01	22	099RV30CC02	74		
061SM7510040FS03	32	093WA406	21	099RV30CC03	76		
061SM7510045FS01	32	093WA406S01	21	099RV30CC05	74		
061SM751004045	33	093WA809	22	099RV30CC06	75		
		093WA809S01	22	099RV30CC07	75		
<b>062</b>		093WS40545N08S01	26	099RV30CC08	75		
062AUR46D30ESD	99	093WWC1832N08S01	59	099RV30CC09	75		
062MGRC74.2000	65	093WWC18321S01	60	099RV30ES01	87		
062MGRC91.2000	65			099RV30H	91		
062MGRC91ESD.2000	65	<b>094</b>		099RV30HS01	94		
062MGRL3274.2000	64	094AD30	89	099RV30KS01	85		
062MGRL3291.2000	64			099RV30KS03	86		

## ALPHABETICAL INDEX

<b>A</b>	
Adjustable Caster End Stop for Guiding Rail FIFO	126
Alu Connection Angle 40 / 80 M (Set)	22
Alu Connection Angle 40 M (Set)	21
Angle Connector 2D30 (Set)	84
Angle Connector D30, 45° (Set)	83
Angle Connector I 40, 45° (Set)	26
<b>B</b>	
Brush Brake for Guiding Rail FIFO (Set)	125
<b>C</b>	
Central Connector B Universal, Slot 10	23
Conduit Profile PVC	72
Connection Cable GST15i5 for Module F Line	58
Connection Cable GST18i3 for Module F Line	57
Connection Coupling GST18i3 für Module F Line (Set)	59
Connection Plate I40 M Length/Cross, Rectangular 2 Hole, 1 Slot (Set)	19
Connection Plate I120 M (Set)	20
Corner Connector 2D30 (Set)	89
Corner Protection Profile 40, Slot 8	69
Cover Cap for Corner Protection Profile 40	71
Cover Cap for Side and Corner Protection Profile 40	70
Cover Cap for Tubular Frame Connectors D30	77
Cover Cap GST18i3 for Module F Line	60
Cover Caps for Tubular Frame Profile	76
Cross Ball Connector D30 (Set)	86
Cross Cable Binder Block D30	97
Cross Connector D30 (Set)	85
<b>D</b>	
Direct Connector I / B, Slot 8 / 10	25
Direct Connector I, Slot 8	24
<b>E</b>	
End Friction Joint B45-B45L for System Arm (Set)	30
End Friction Joint I40L for System Arm (Set)	29
End Friction Joint I80L for System Arm (Set)	31
<b>F</b>	
Fixed Castor with Lifting Foot	17
Floor Marking Tape 100	108
Foot Console ST 40 / 45 - 110	12
Frame Corner Connector 18 x 32 for Clamp Profile (Set)	61
<b>G</b>	
Guiding Rail XST Central	67
Guiding Rail XST Lateral	66
<b>H</b>	
Holding Bracket ST / XST D30	63
<b>I</b>	
Infeed cap for FIFO Monorail Rail 40 (Set)	128

## ALPHABETICAL INDEX

<b>L</b>	
Label Clip D28 / D30	98
Label Holder D30 (Set)	99
LED Lamp Module F Line I 476, Input Dimmable	39
LED Lamp Module F Line I 953	41
LED Lamp Module F Line I 953, Input Dimmable	42
Leveling Castor with Bolt Hole Thread	15
Leveling Castor with Mounting Plate 40 / 45	16
<b>M</b>	
Magnetic Holder I, Slot 8	34
Main Power Cable GST18i3 for Module F Line	56
Mobile Enamel Board	117
Mobile Enamel Cube	119
Mobile Whiteboard	118
Monitor Mounting Plate	33
Monitor Mount ZN with Locking Lever (Set)	32
Mounting Bracket ST / XST D30	65
Mounting Clamp D30 (Set)	96
Mounting Set Infeed Cap for Guiding Rail FIFO	127
<b>N</b>	
No Placing or Storing Floor Sign	112
<b>O</b>	
Organizer UTENSIL0, magnetic (Set)	122
Outer Ball Butt Connector D30 (Set)	88
Outer Ball Connector D30 (Set)	87
Outer T-Connector D30 (Set)	80
Outer T-connector D30 - Slot 8 (Set)	81
<b>P</b>	
Panel Clip D30	92
Parallel Connector D30 (Set)	82
Power Strip Module F Line 264 4-way 4x	44
Power Strip Module F Line 317 5-way 4x, Output Dimmable	48
Power Strip Module F Line 370 6-way 4x + USB, Input switchable	50
Power Strip Module F Line 370 6-way 4x, Input Switchable, Output Dimmable	52
Power Strip Module F Line 370 6-way 4x, Input Switchable, Output Switchable	54
Protection Cap D30	78
<b>R</b>	
Roller Ø 39.5 (Set)	100
Roller Ø 46.5	101
Roll-in T-slot Nut 11.6 x 4.6 mm with Spring Leaf	18
<b>S</b>	
Side Protection Profile 40, Slot 8	68
Slide Bearing D40/D30	102
Slide Rail D30	75
Sliding Door Guide Insert for Frame Corner Connector 18 x 32 (Set)	62

**T**

T-Connector Plate D30 (Set)	90
Temporary Floor Marking Tape 50 tesa® 60760	109
Threaded Sleeve AL D30	79
Top Clamp D30 (Set)	93
Top Corner Suspension D30 (Set)	95
Top Suspension D30 (Set)	94

**V**

Variable Holding Bracket ST / XST D30	64
Vario Block AL D30 (Set)	91

**W**

Wall-mounted Enamel Board	116
---------------------------	-----

**FATH** GmbH | INNOVATIONS@**FATH** 21|OCT

**FATH** GmbH | Gewerbepark Hügelmühle 31, 91174 Spalt, Germany  
P: +49 9175 7909-200 | F: +49 9175 7909-29 | info.de@fath24.com | fath24.com

Managing Directors: Mirko Jan **FATH**, Wido **FATH**  
Trade Register: Amtsgericht Nürnberg, Department B, No. 10906  
Place of Execution: 91174 Spalt, Germany  
Tax No.: 241/115/40086, VAT No.: DE 133 541 653

© **FATH** GmbH

Reprinting or other duplication, including excerpts, is possible only with the express permission of **FATH** GmbH.  
We reserve the right to make technical modifications at any time. All indications are without guarantee.  
Drawings and models are the intellectual property of **FATH** GmbH.  
Our current Terms and Conditions of Sale, Delivery and Payment apply.

Illustrations: Andreas Teindl, Dipl. Designer, Illustrator IO



**FATH GmbH**

Gewerbepark  
Hügelmühle 31  
91174 Spalt  
Germany

P: +49 9175 7909-200  
F: +49 9175 7909-29  
info.de@fath24.com

**FATH Inc.**

6533 Hazeltine National  
Drive,  
Suite 3  
Orlando, FL 32822  
USA

P: +1 407 601-5900  
F: +1 407 601-5905  
info.us@fath24.com

**FATH Machine Components  
Co., Ltd**

Shengang Road No. 2001,  
Building 2  
201612 Songjiang / Shanghai  
PR China

P: +86 21 5774 4520  
info.cn@fath24.com

**FATH Components Kft.**

Gyár u. 2.  
2040 Budaörs  
Hungary

P: +36 23 880-977  
F: +36 23 880-978  
info.hu@fath24.com

**FATH Components Ltd.**

6 Pegasus Court, North  
Lane  
Aldershot  
Hampshire  
GU12 4QP  
Great Britain

P: +44 1252 346610  
info.gb@fath24.com

**FATH Inc. S.A. de C.V.**

Av. Central 230, Int. 140  
Los Lermas  
67188 Guadalupe, N.L.  
Mexico

P: +52 81 3424-1428  
info.mx@fath24.com

**FATH do Brasil Componen-  
tes Industriais Ltda**

Rodovia Raposo Tavares,  
S/N, Km 22,14 Bloco E - 509  
Granja Viana.  
Cotia - SP  
06709 - 900  
Brazil

P: +55 11 2898-9753  
info.br@fath24.com

**FATH Components BV**

Rudolf Dieselweg 14  
5928 RA Venlo  
The Netherlands

P: +31 773333555  
F: +31 773333550  
info.nl@fath24.com

**FATH Schweiz AG**

Driesbuelstraße 11  
8808 Pfäffikon  
Switzerland

P: +41 79 577 61 97  
info.ch@fath24.com

Presented by:

Best.-Nr. 000311

